

Korniche Bi-folding Door

Installation Guide

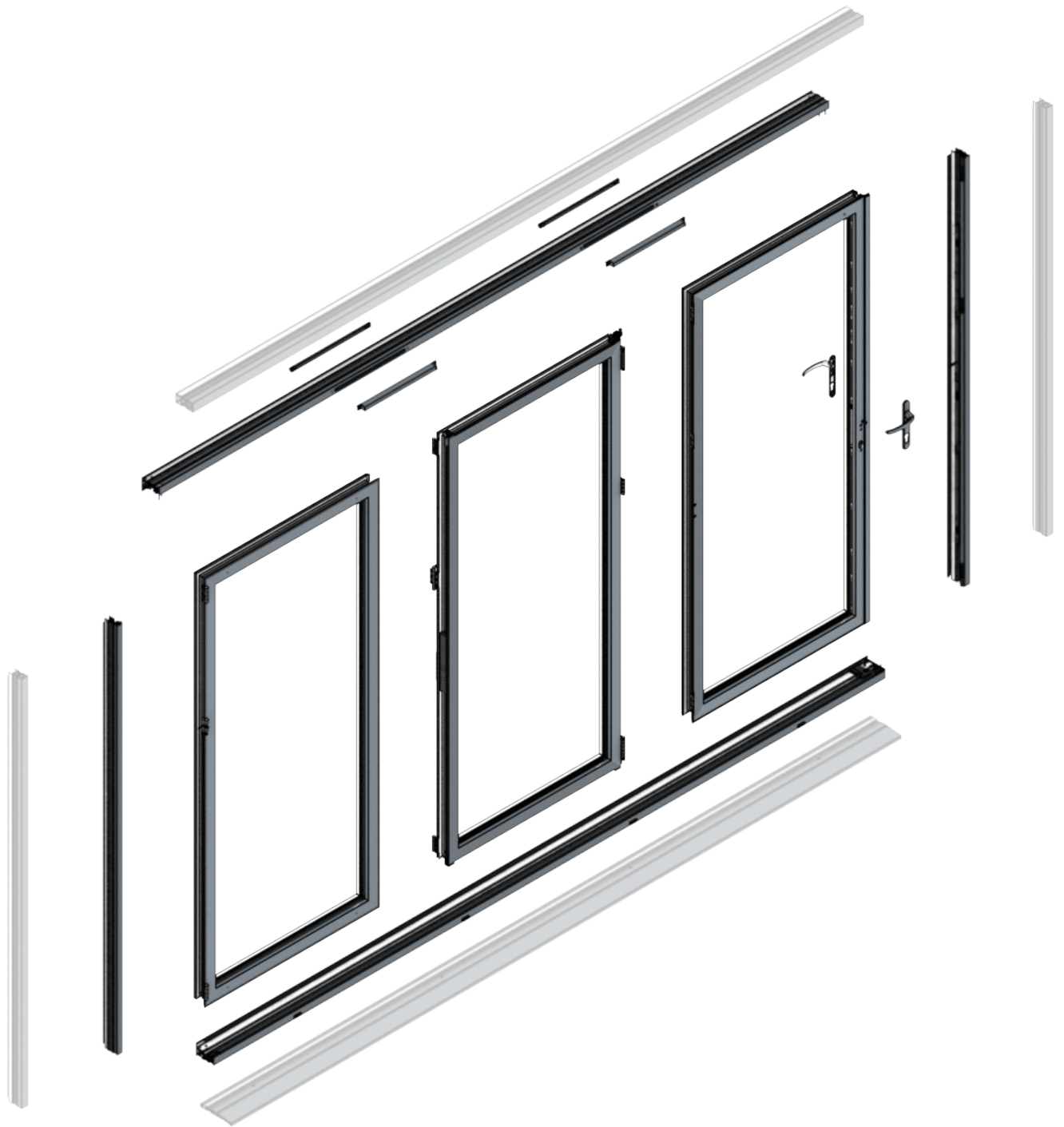
Kit-form assembly
Stages 1-2



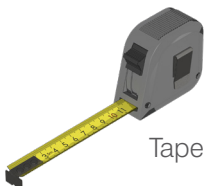
Door installation
Stage 3-8

Lock adjustment
Appendix 1

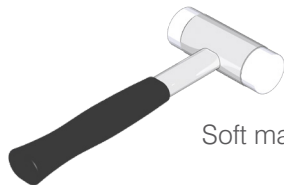
De-glazing instruction
Appendix 2



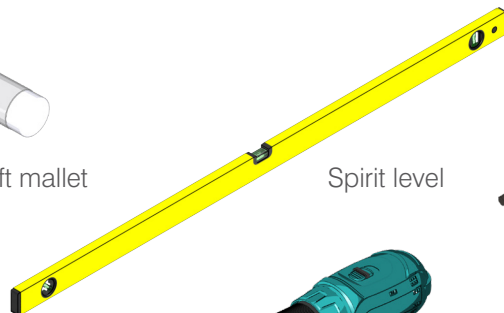
TOOLS REQUIRED



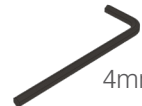
Tape measure



Soft mallet



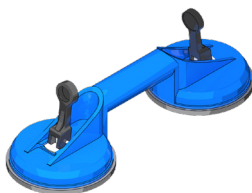
Spirit level



4mm hex key



Glazing paddle



Glazing suction lifters



Cordless
drill / driver

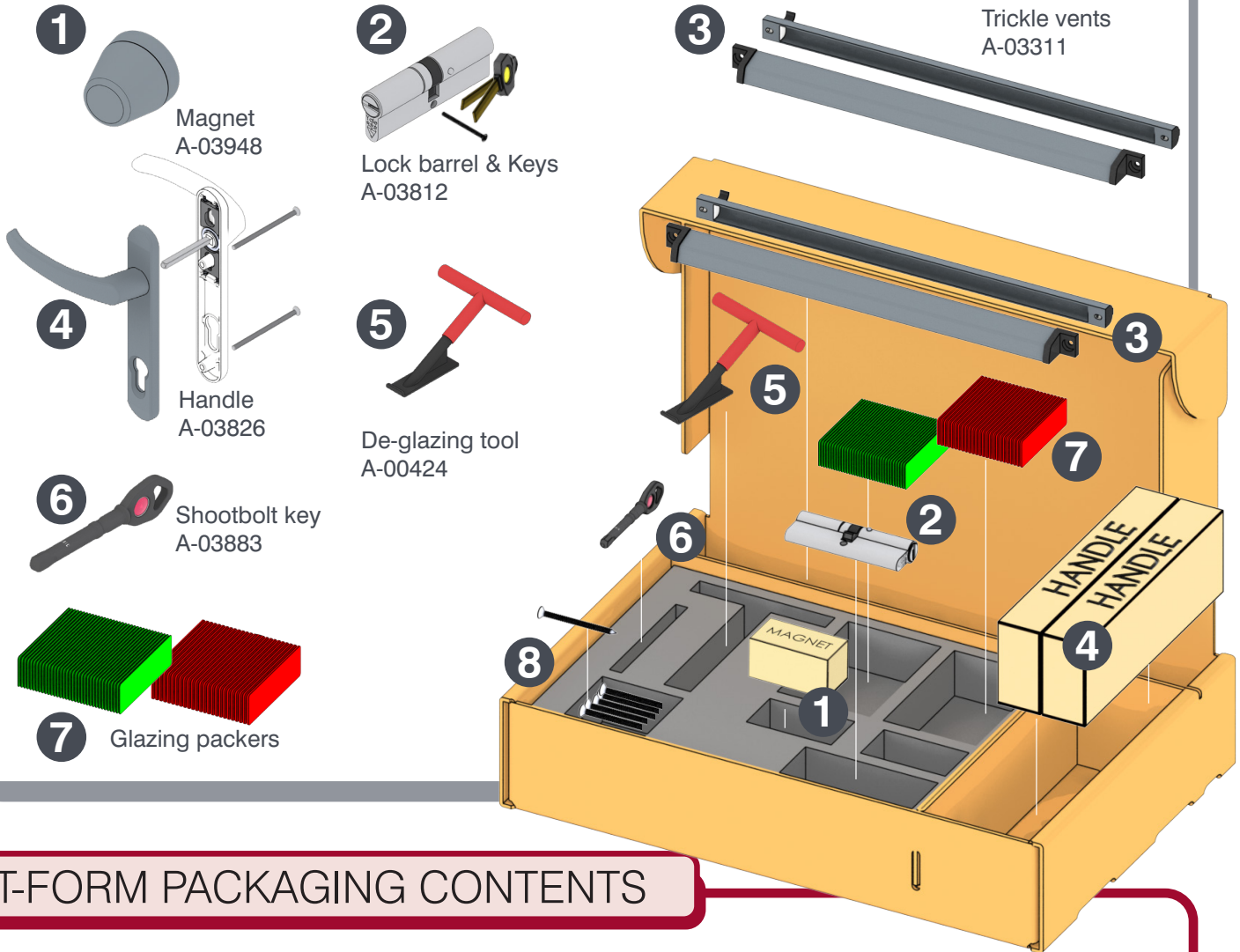


Pozi No 2
Bit



3 & 5mm
Drill Bits

PACKAGING CONTENTS



KIT-FORM PACKAGING CONTENTS



CONSUMABLES - NOT SUPPLIED



KIT-FORM ONLY ASSEMBLY

KF

1



60mm 1:1

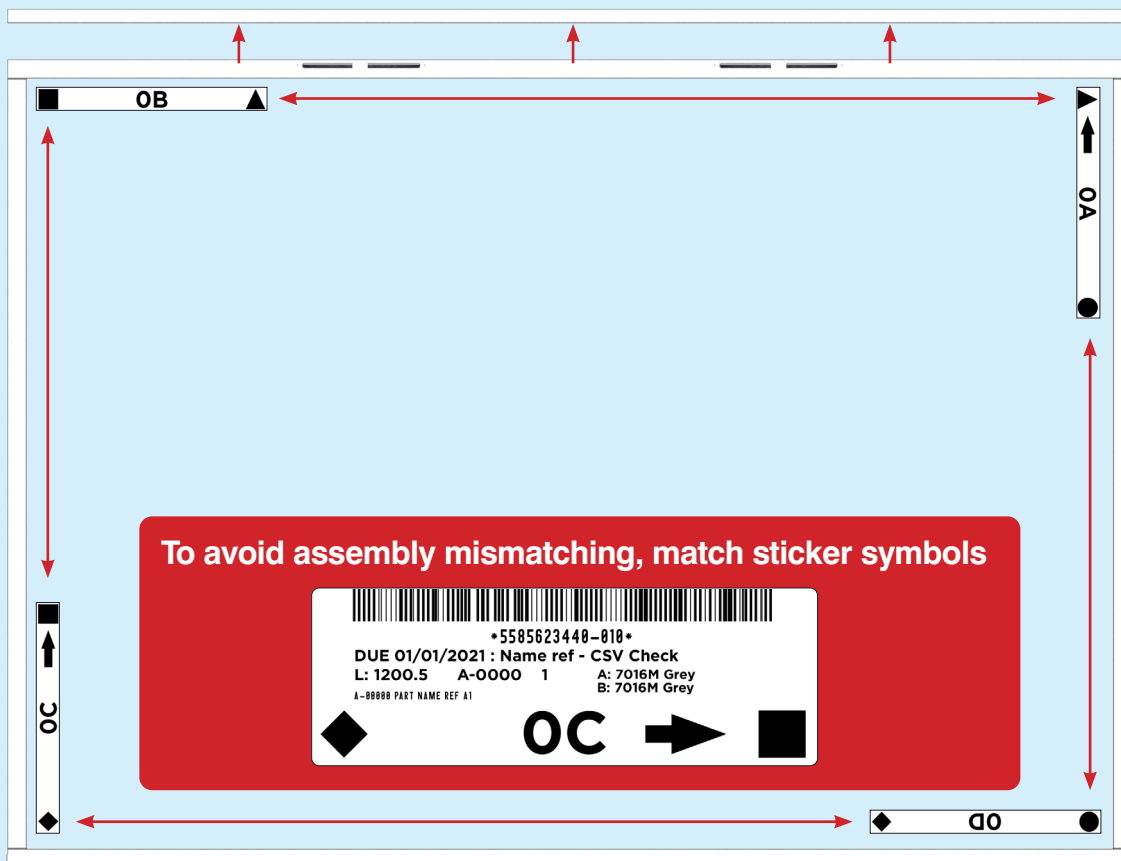
A-03310



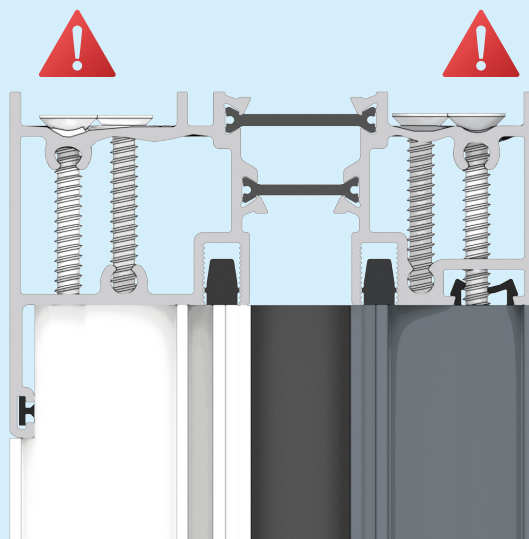
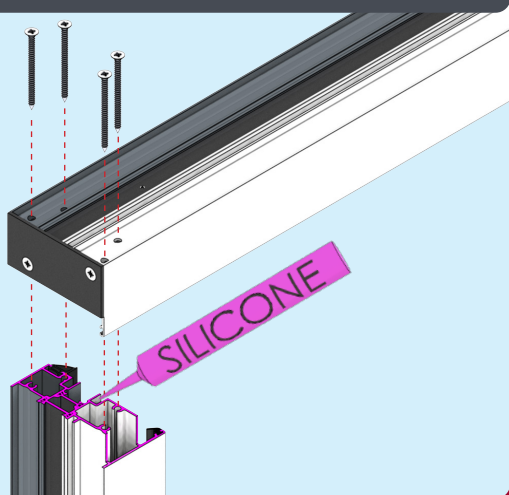
1



Remove any frame extenders, retaining screws



2 Outerframe fixing



To avoid distortion do not over-tighten

OUTERFRAME ASSEMBLY

KF

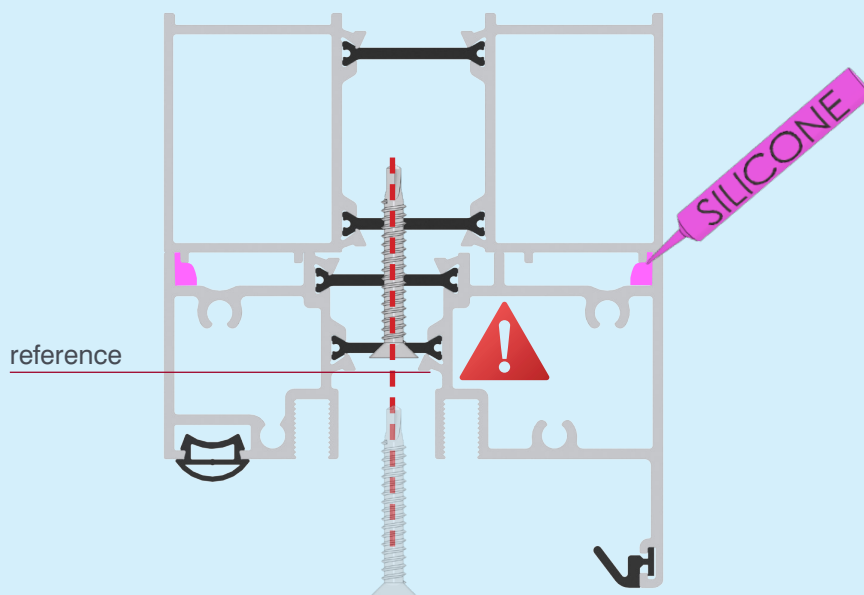


32mm 1:1

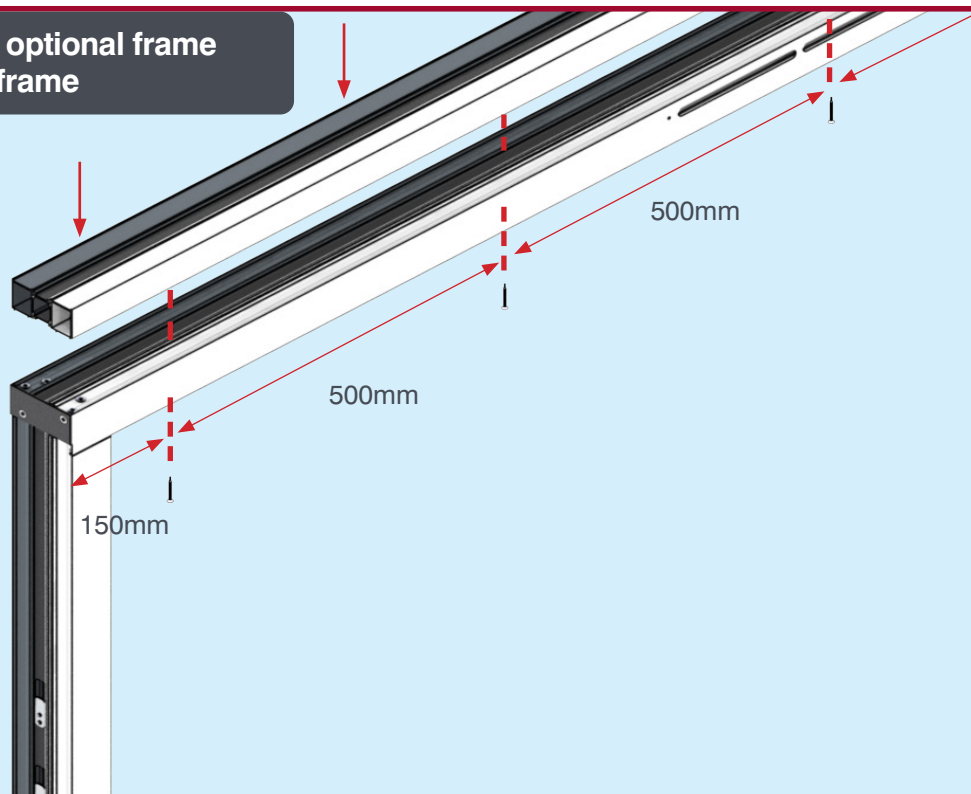
A-3732



3 Re-attach optional frame extender



4 Fixing position of optional frame extender to outerframe

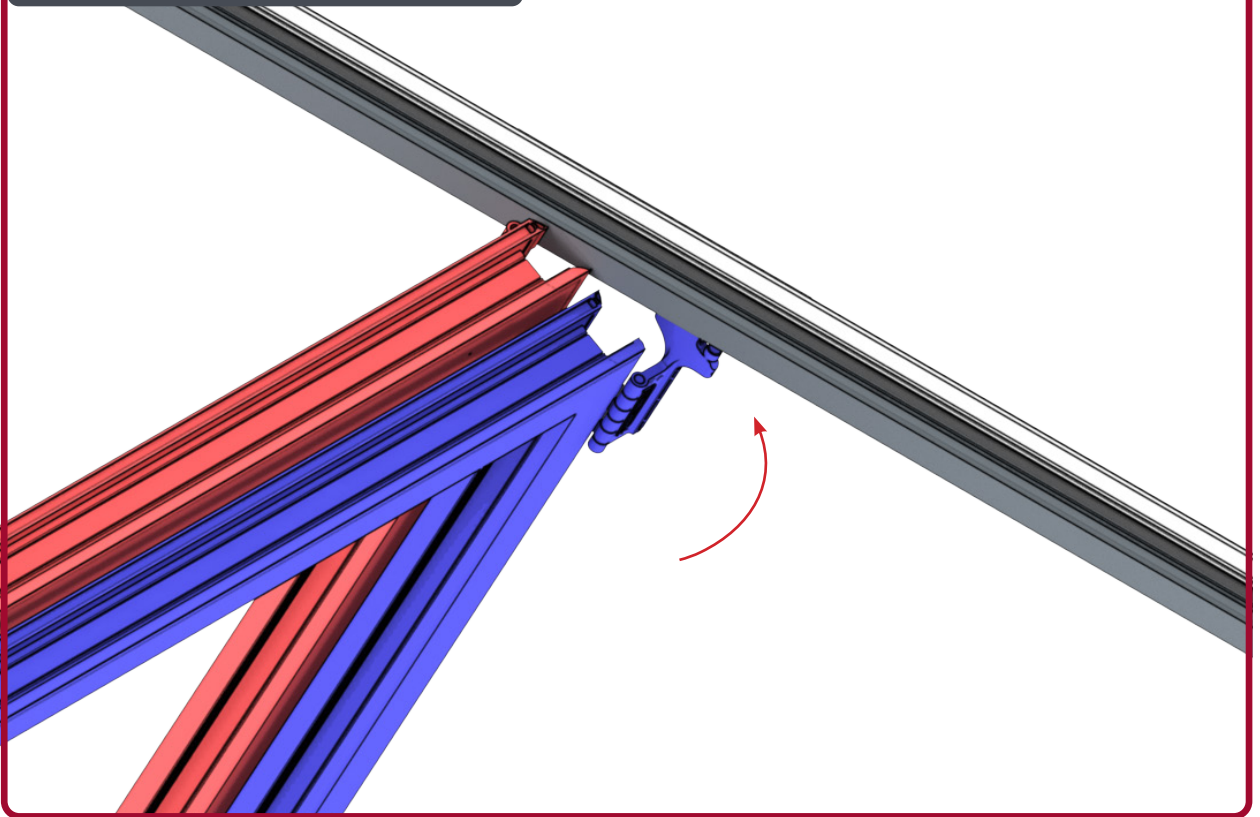


Ensure screws are sub-flush to reference line

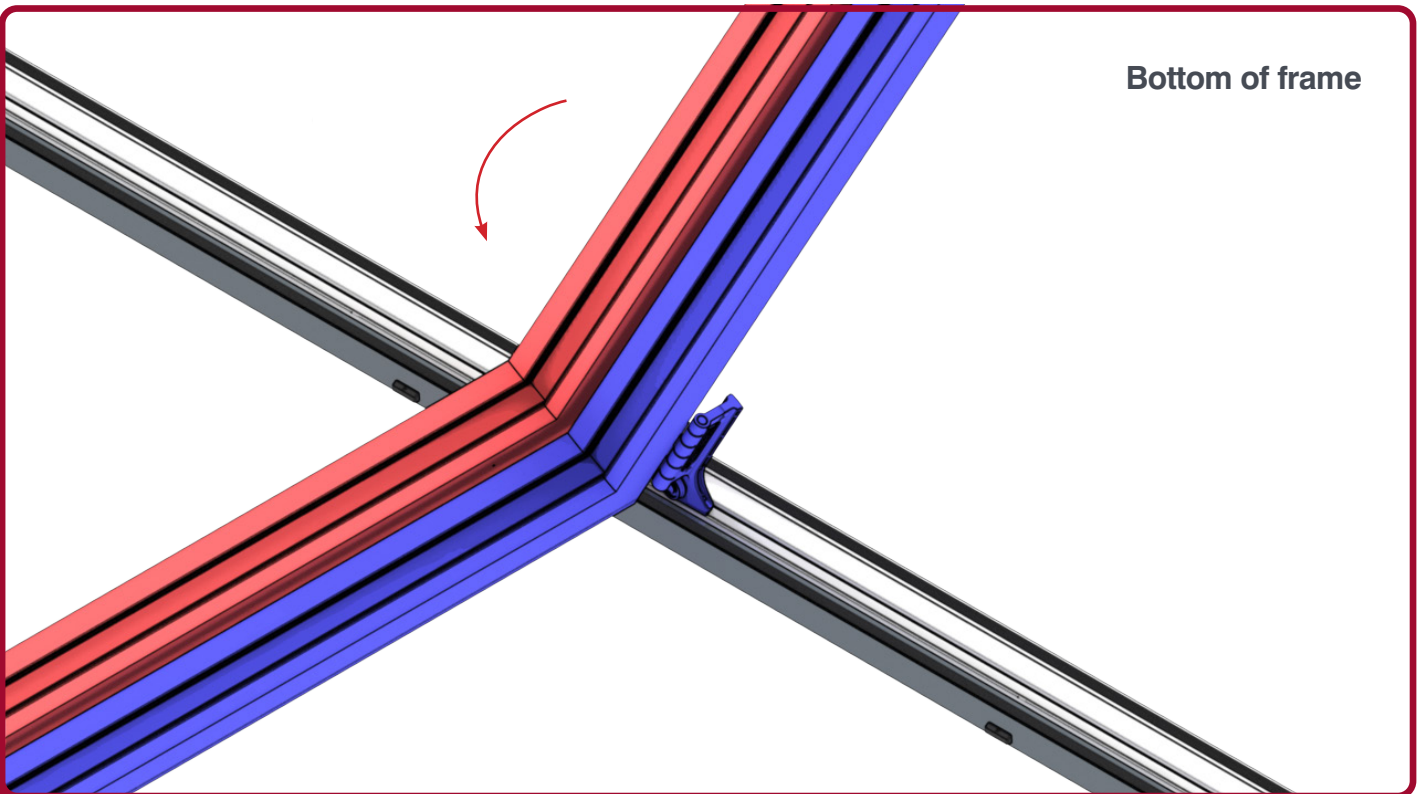
2

Rotate sash into position

Top of frame



Bottom of frame



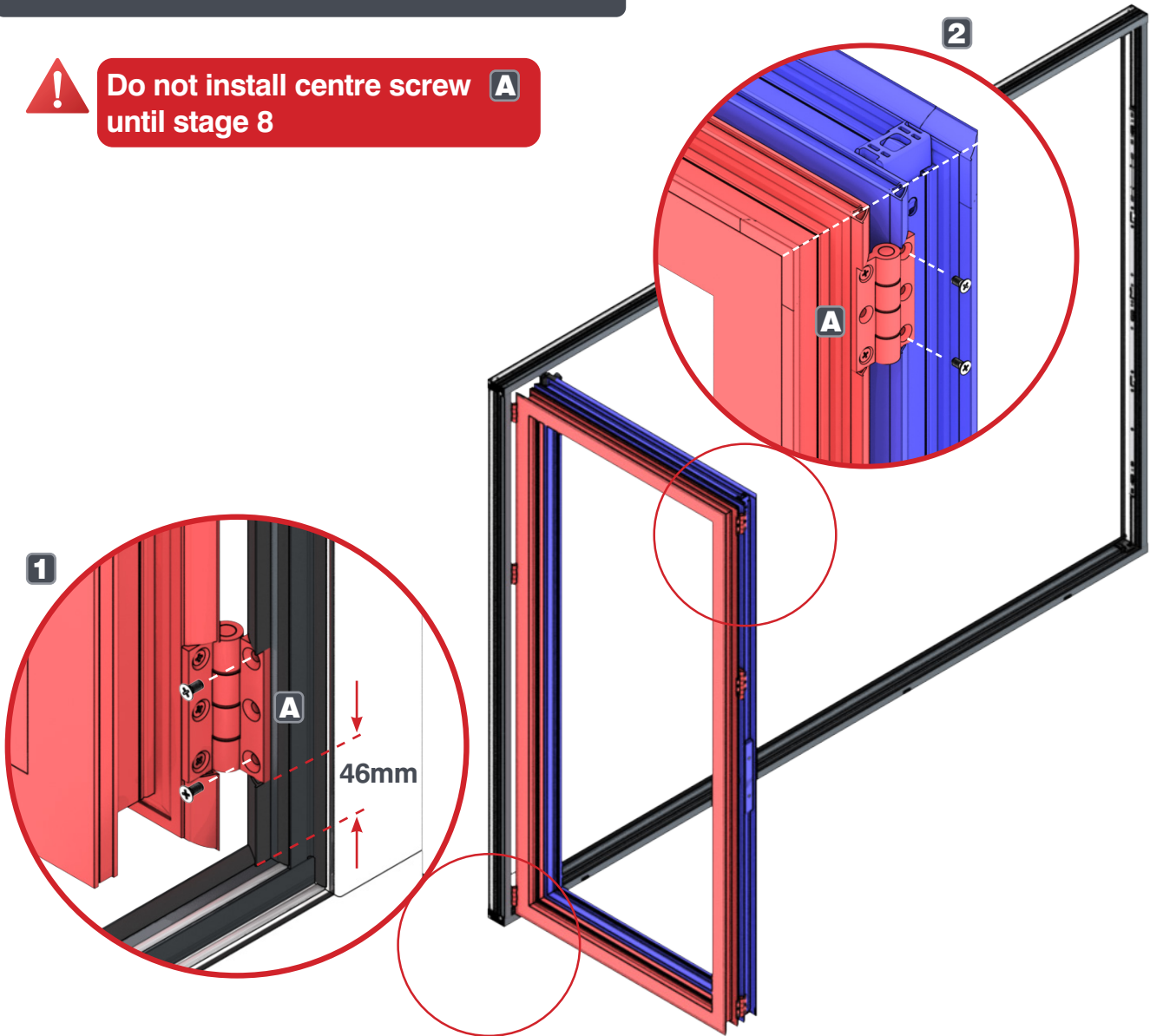
SASH INSTALLATION

KF

10mm 1:1
A-03735

Sash attachment - external view

 Do not install centre screw **A** until stage 8



Align sashes using hinge screws to adjust heights (sashes are numbered left to right from outside)



End of Kit-form instructions

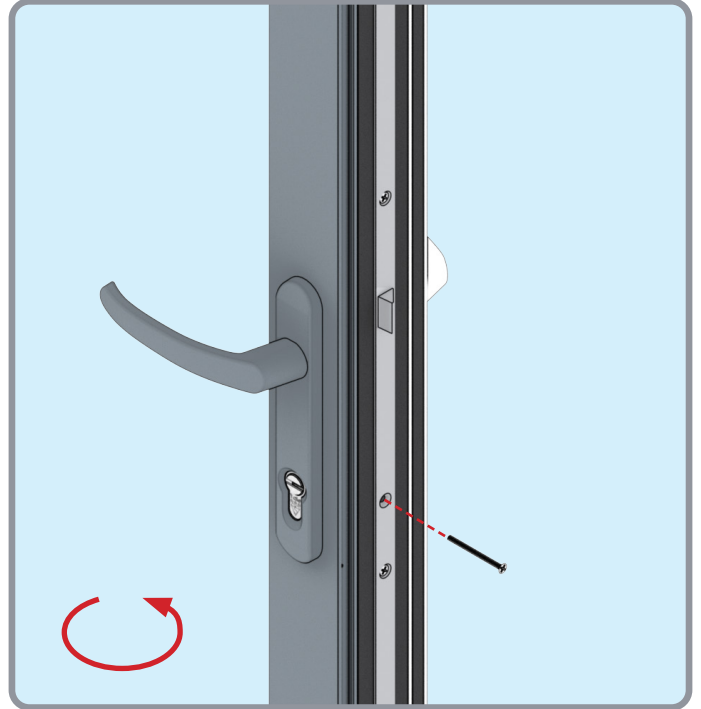
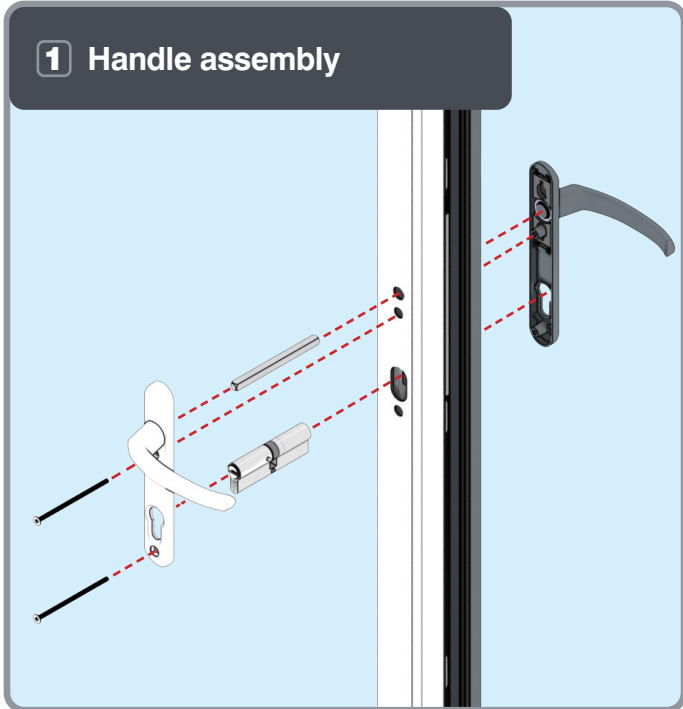
GENERAL ASSEMBLY

HANDLE INSTALLATION

3

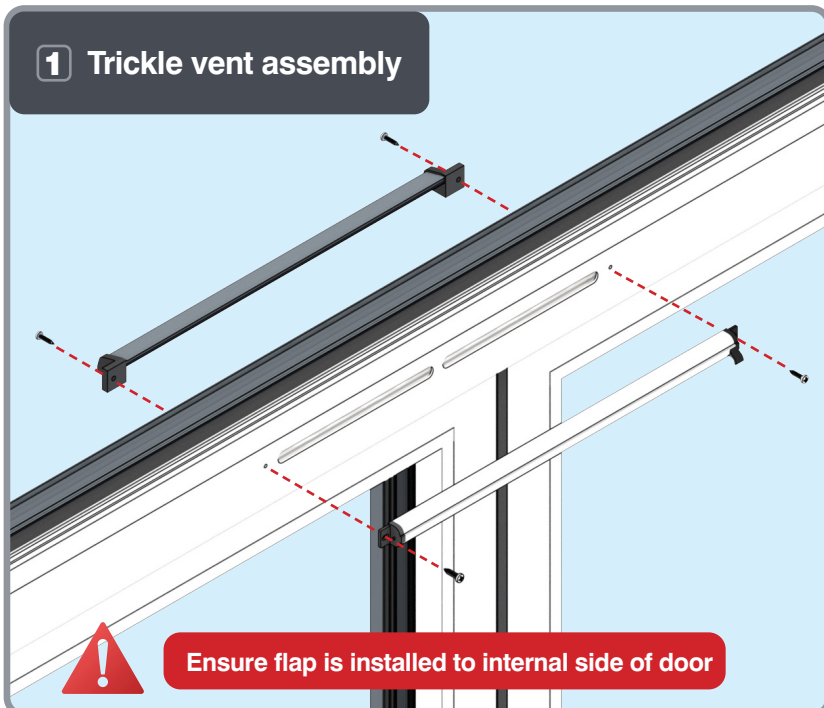


1 Handle assembly

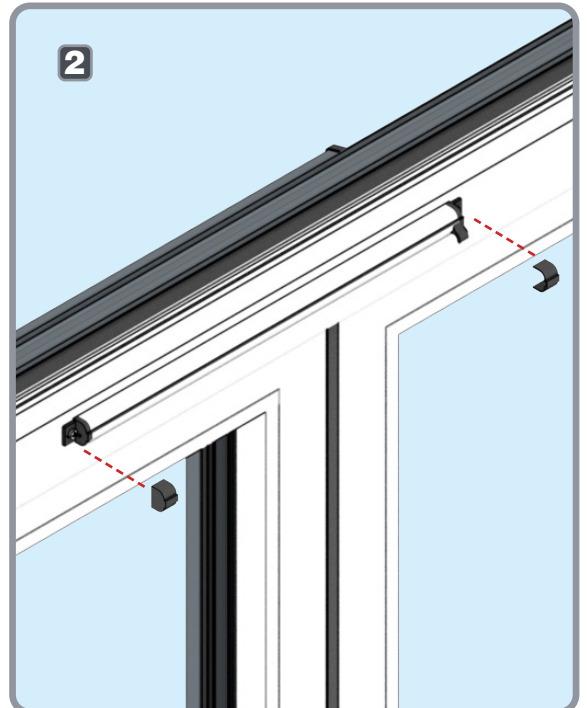


OPTIONAL TRICKLE VENT INSTALLATION

1 Trickle vent assembly



2

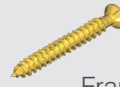


CILL INSTALLATION

4



Outer frame packers (not supplied)

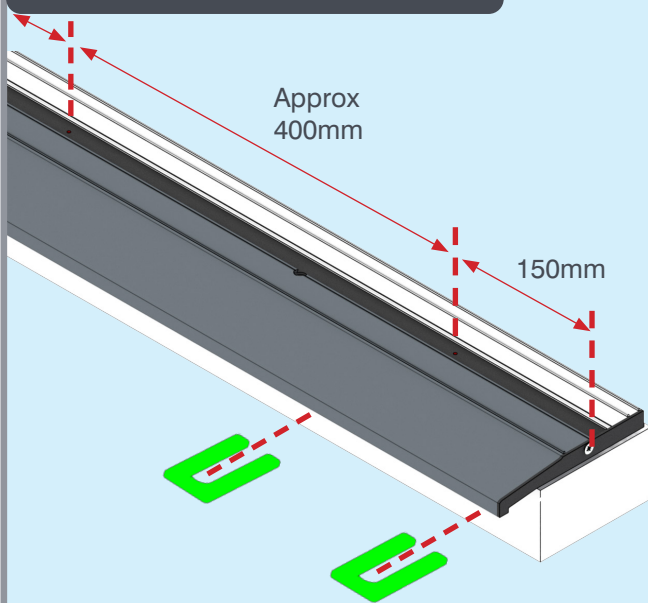


Frame fixing screws (not supplied)

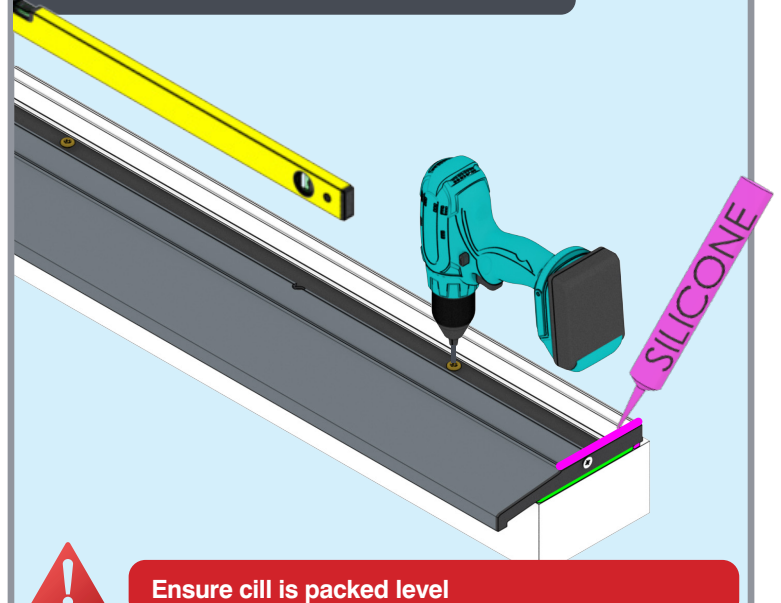


Low modulus silicone sealant (not supplied)

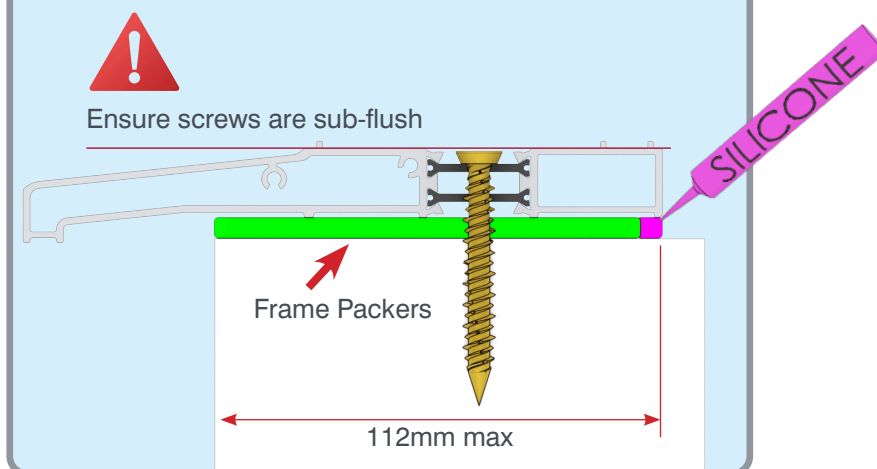
1 Drilling



2 Leveling and fixing cill



3 Completed cill position showing packer



Note - Cill packers and screws are not supplied

Ensure cill is level: ± 1 mm



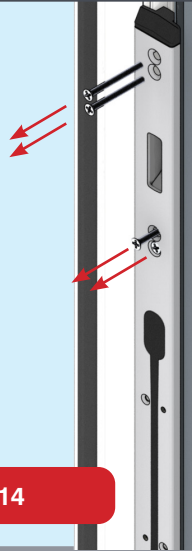
DOOR INSTALLATION

5



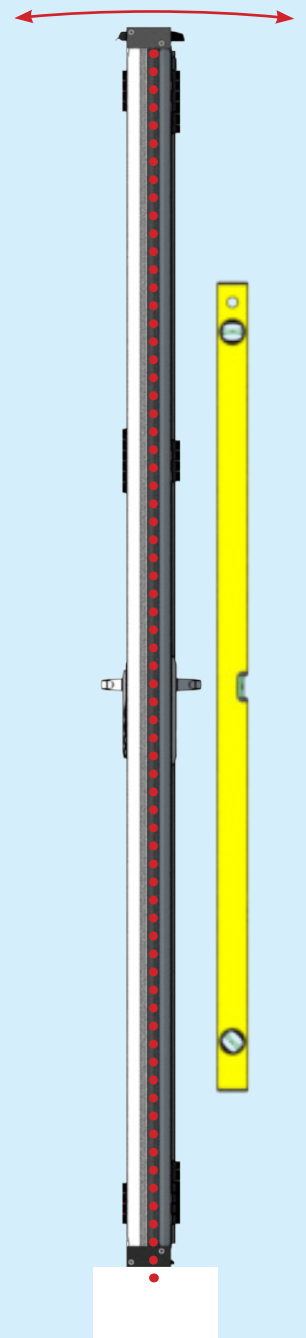
Only remove keep when on outerframe

1 Keep removal when on jamb

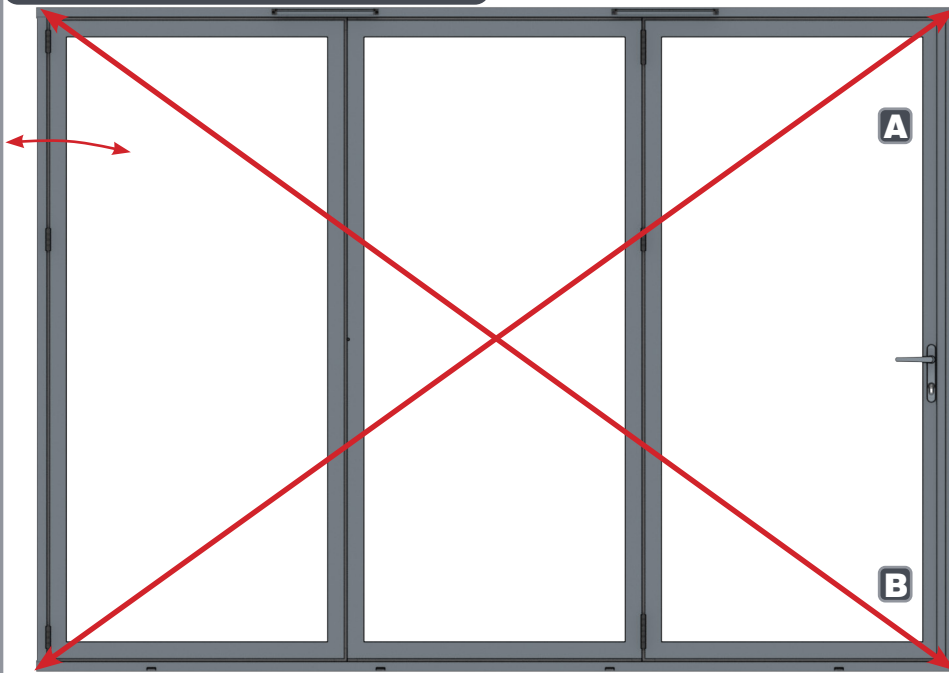


Retain fixing screws x14

2 Vertical Alignment



3 Horizontal alignment



Ensure diagonals: $A=B \pm 1\text{mm}$

DOOR INSTALLATION



Outer frame packers
(not supplied)

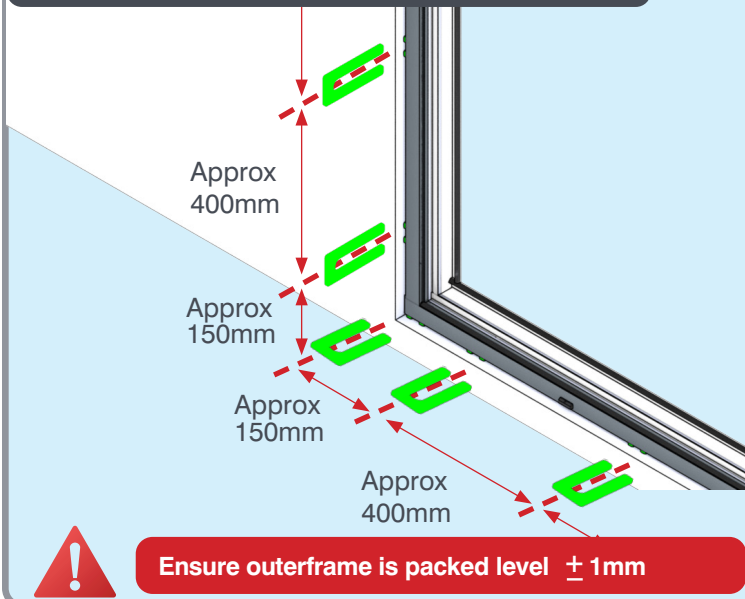


Frame fixing screws
(not supplied)

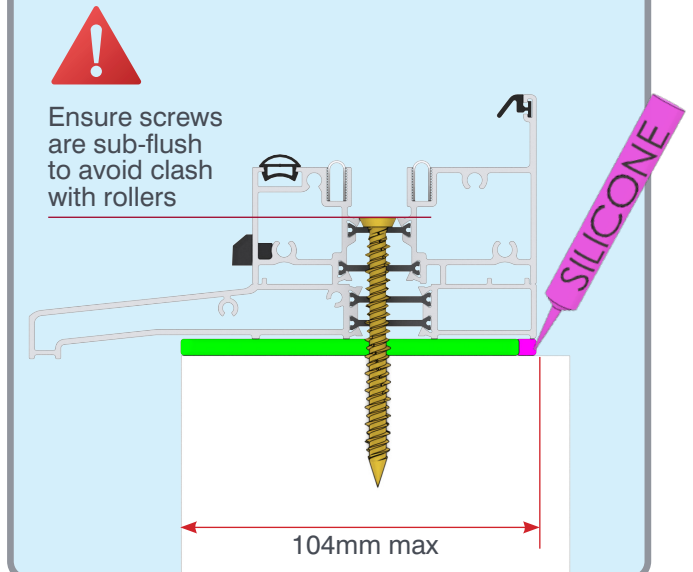


Low modulus silicone sealant
(not supplied)

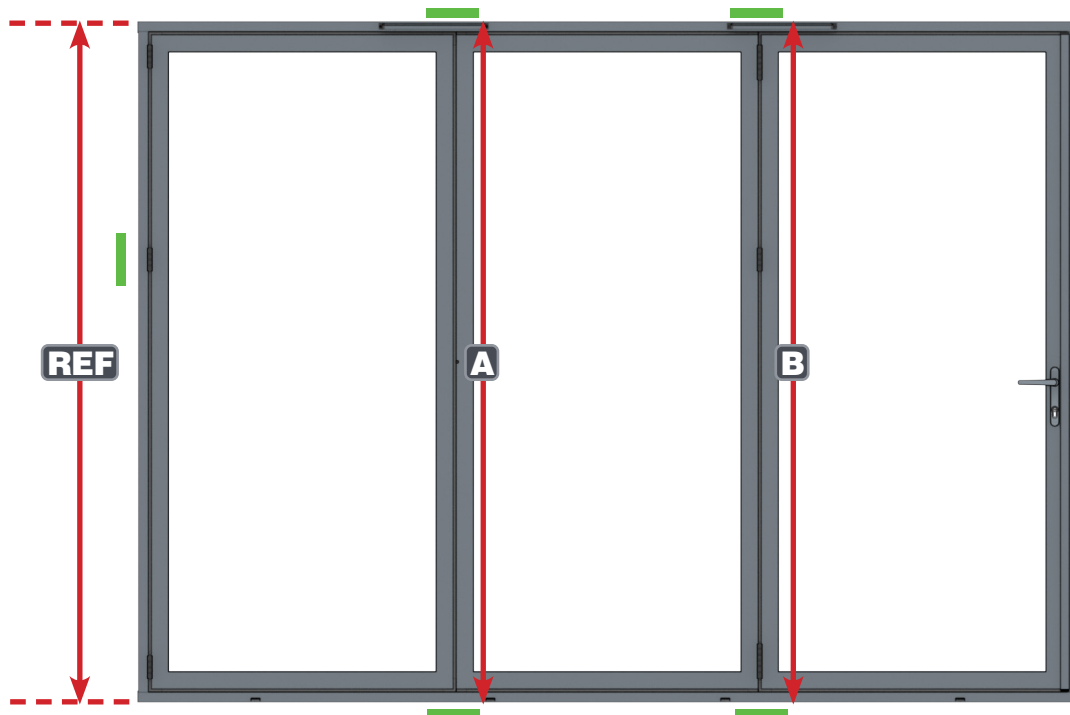
4 Packing of outerframe



5 Drill and screw outerframe in position



6 Check vertical measurements

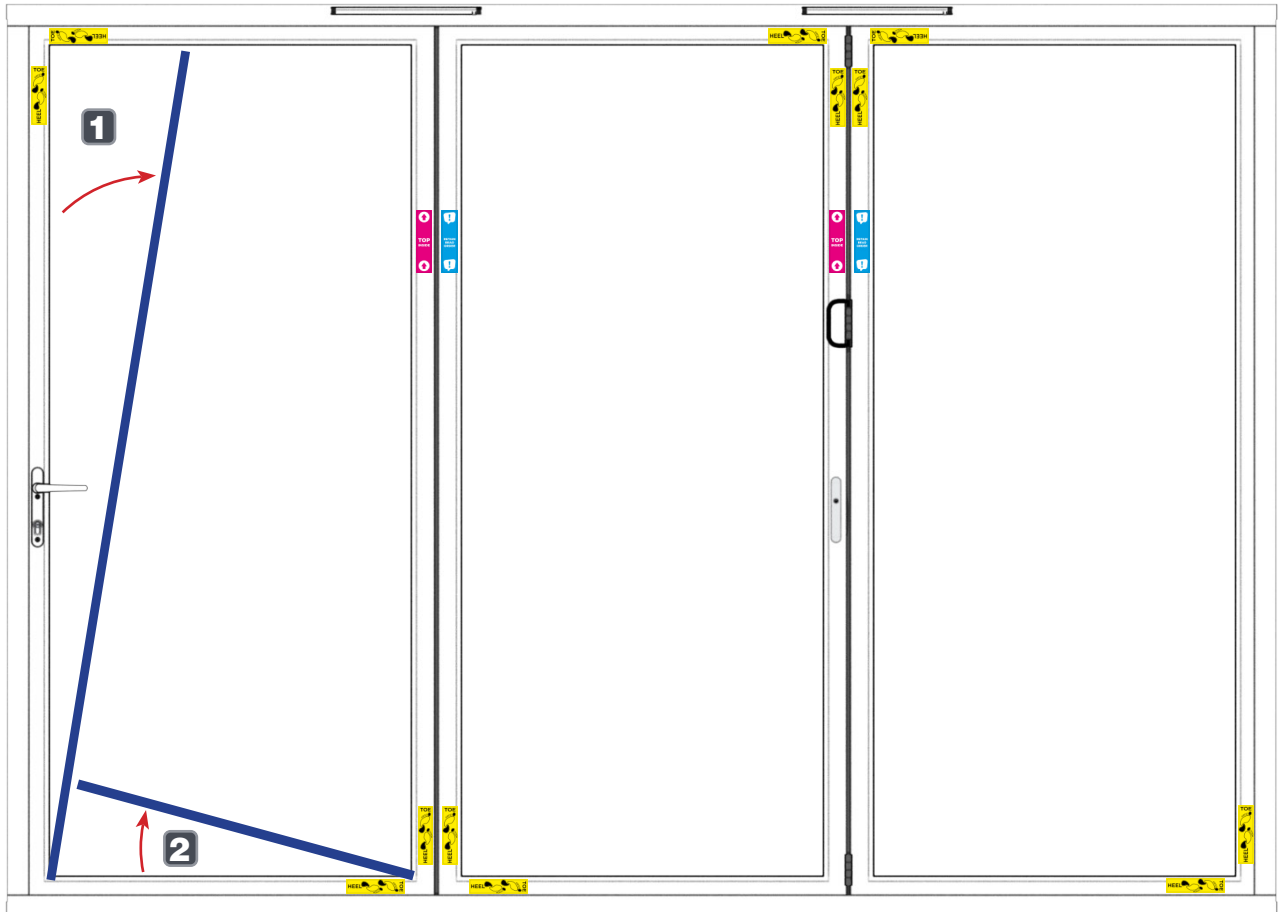


! Ensure verticals: REF=A=B ± 1 mm
Extra packers at locking points and hinges

DOOR GLAZING

6

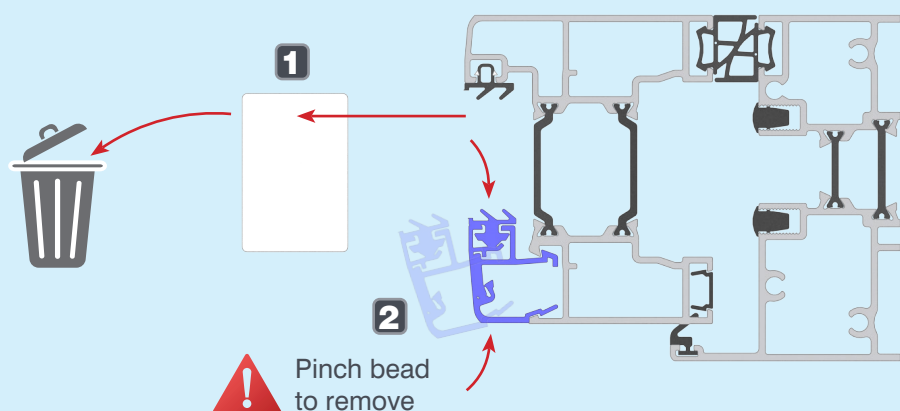
1 Bead and bead spacer removal for glazing



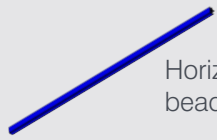
Ensure beads return to original positions

RETAIN
BEAD
ORDER

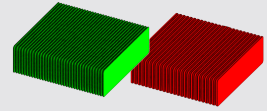
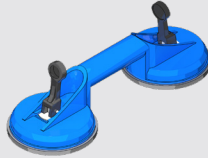
Polystyrene bead spacer removal



DOOR GLAZING

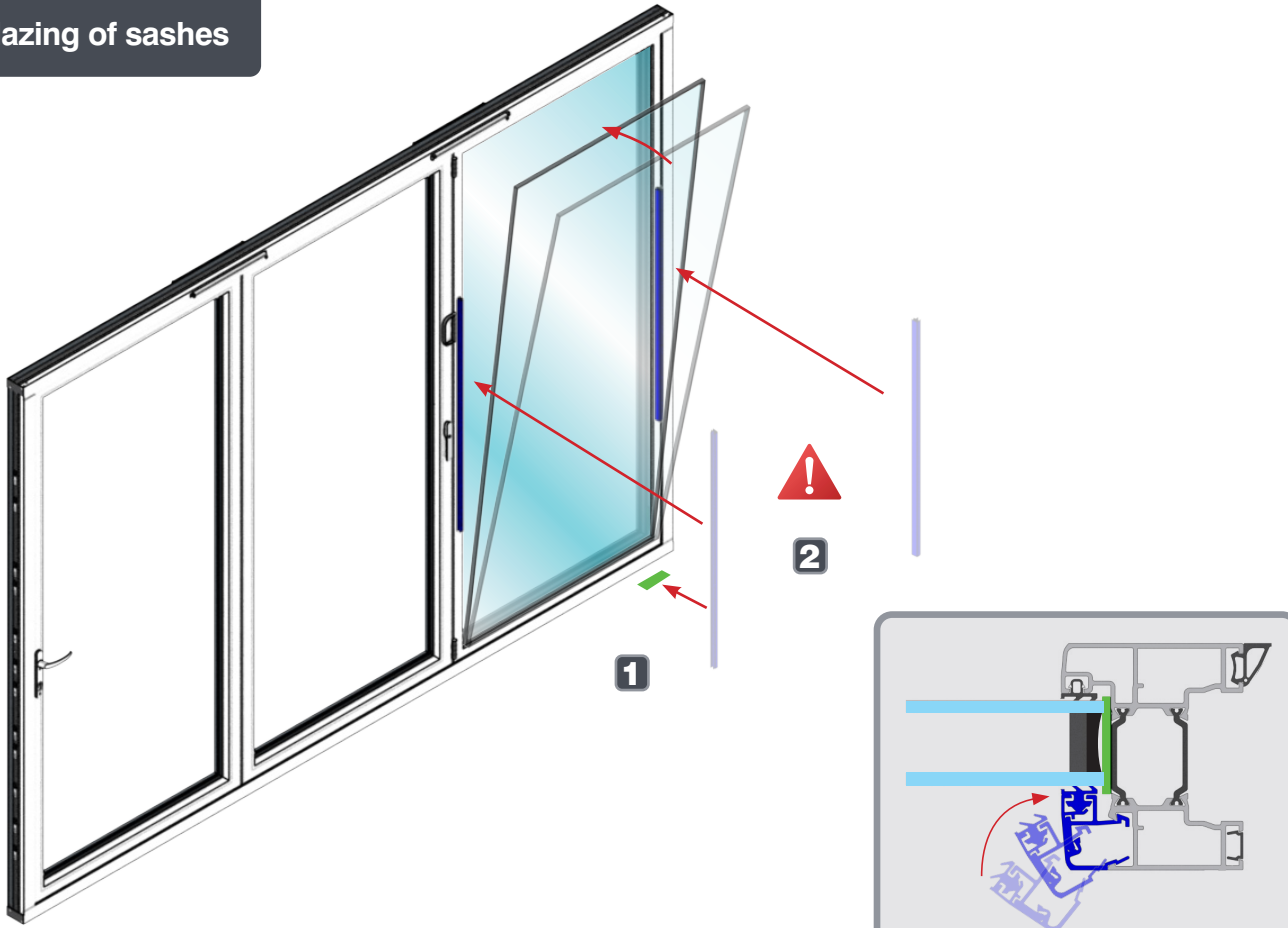


Horizontal beads



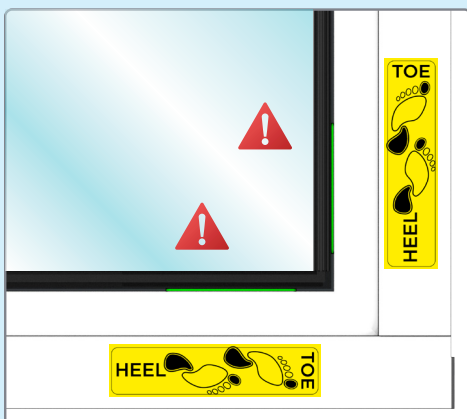
Glazing packers

2 Glazing of sashes

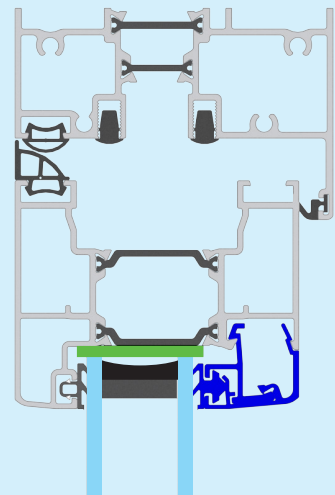


Tip: Use horizontal beads to temporarily secure glass: Refer to appendix 2

Toe and heel adjustment



11mm



Adjust sash packing to maintain 11mm all round

DOOR FUNCTIONALITY

7

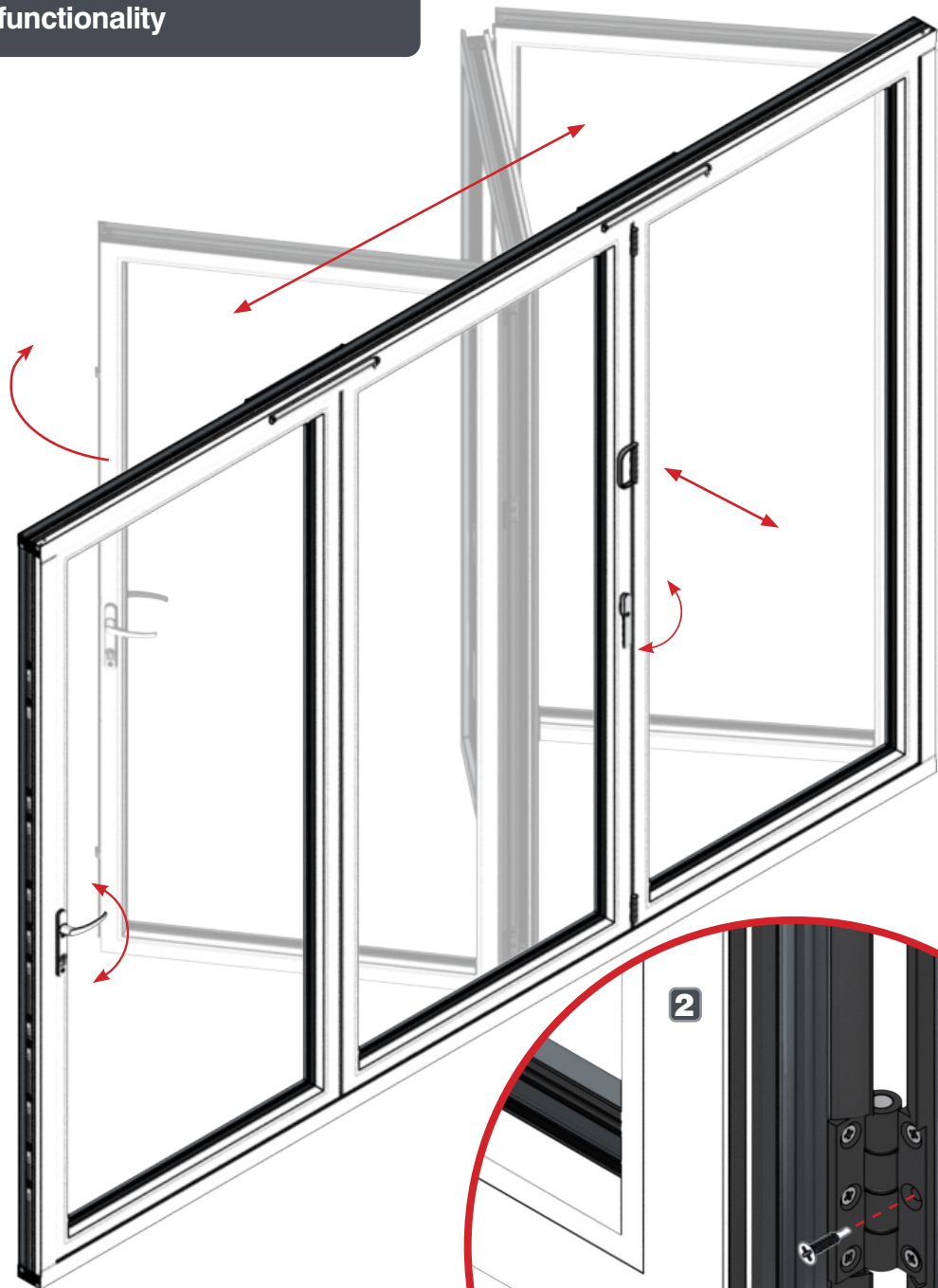
19mm 1:1

A-03309 -
Final hinge screw



Shootbolt key
A-03883

1 Check door functionality

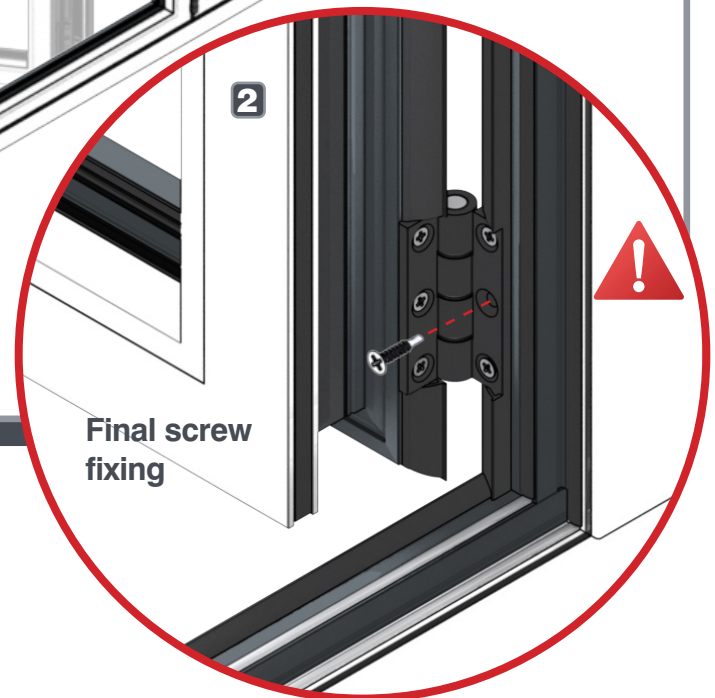


2

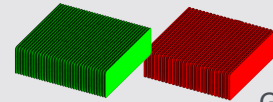
Final screw
fixing



Adjust hinge height if required so sashes are inline and gaps are equal to 11mm then install final hinge screws

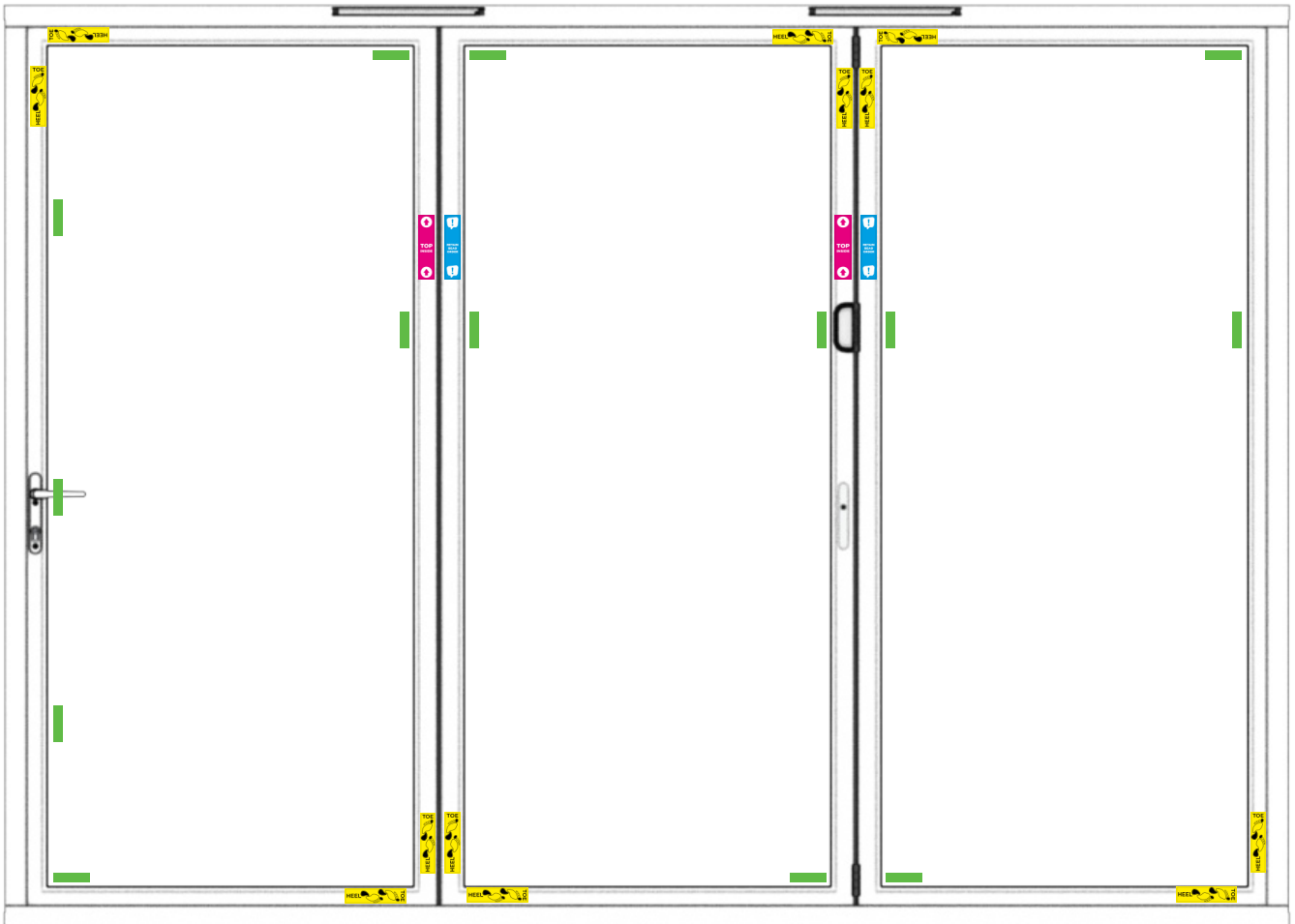


ADDITIONAL PACKING AND REFITTING BEADS

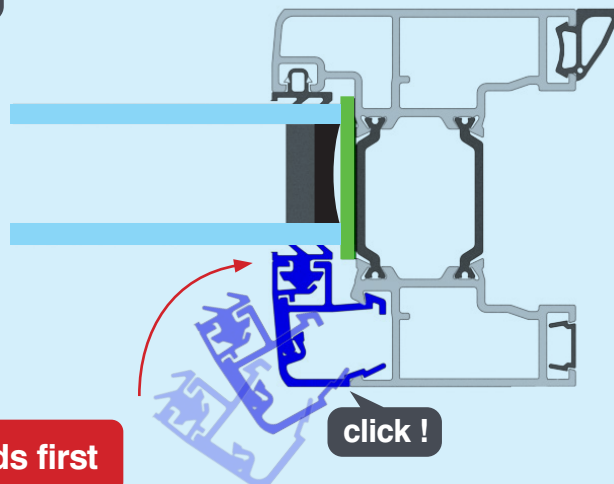


Glazing packers

3 Pack at locking and hinge points



4 Clip-in bead installation



Fit horizontal beads first

DOOR MAGNET INSTALLATION

8

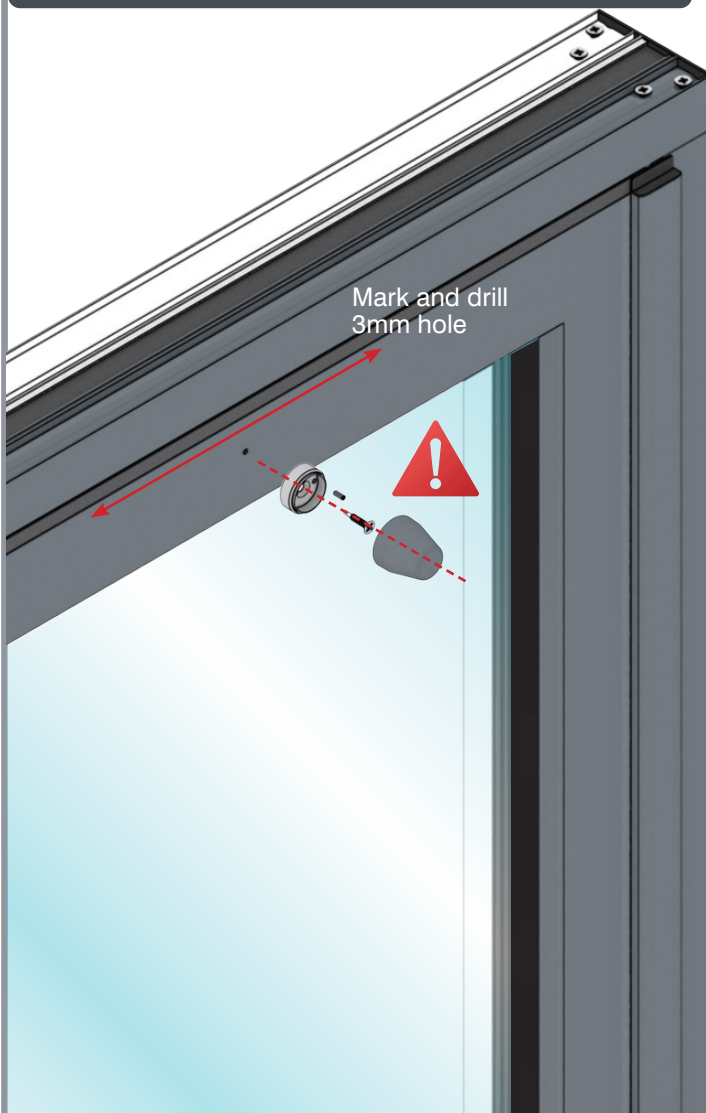


3mm Drill Bit

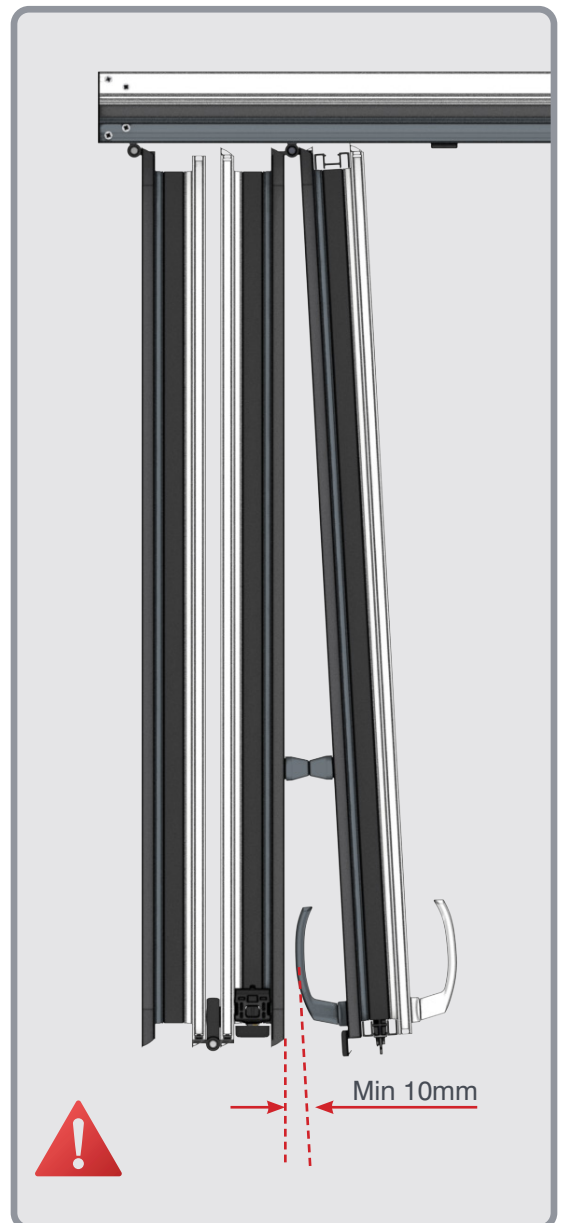


Magnet
A-03948

2 Door magnet installation



Position grub screw opposite hinges and adjust angle to ensure magnets touching faces are parallel.



Position magnet ensuring
10mm gap

Appendix 1: LOCK ADJUSTMENT

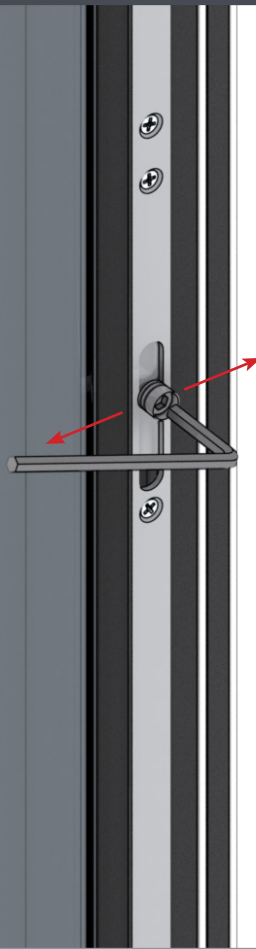


Before adjusting lock ensure door frame and glazing is correctly packed

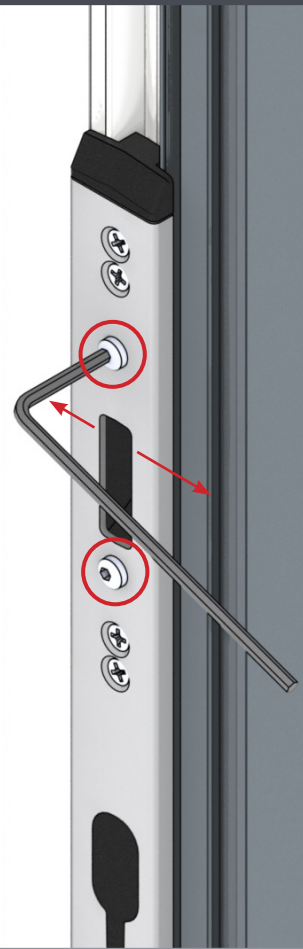
1 Latch plate adjustment



2 Roller cam adjustment using 4mm hex key



3 Hook keep adjustment using 4mm hex key



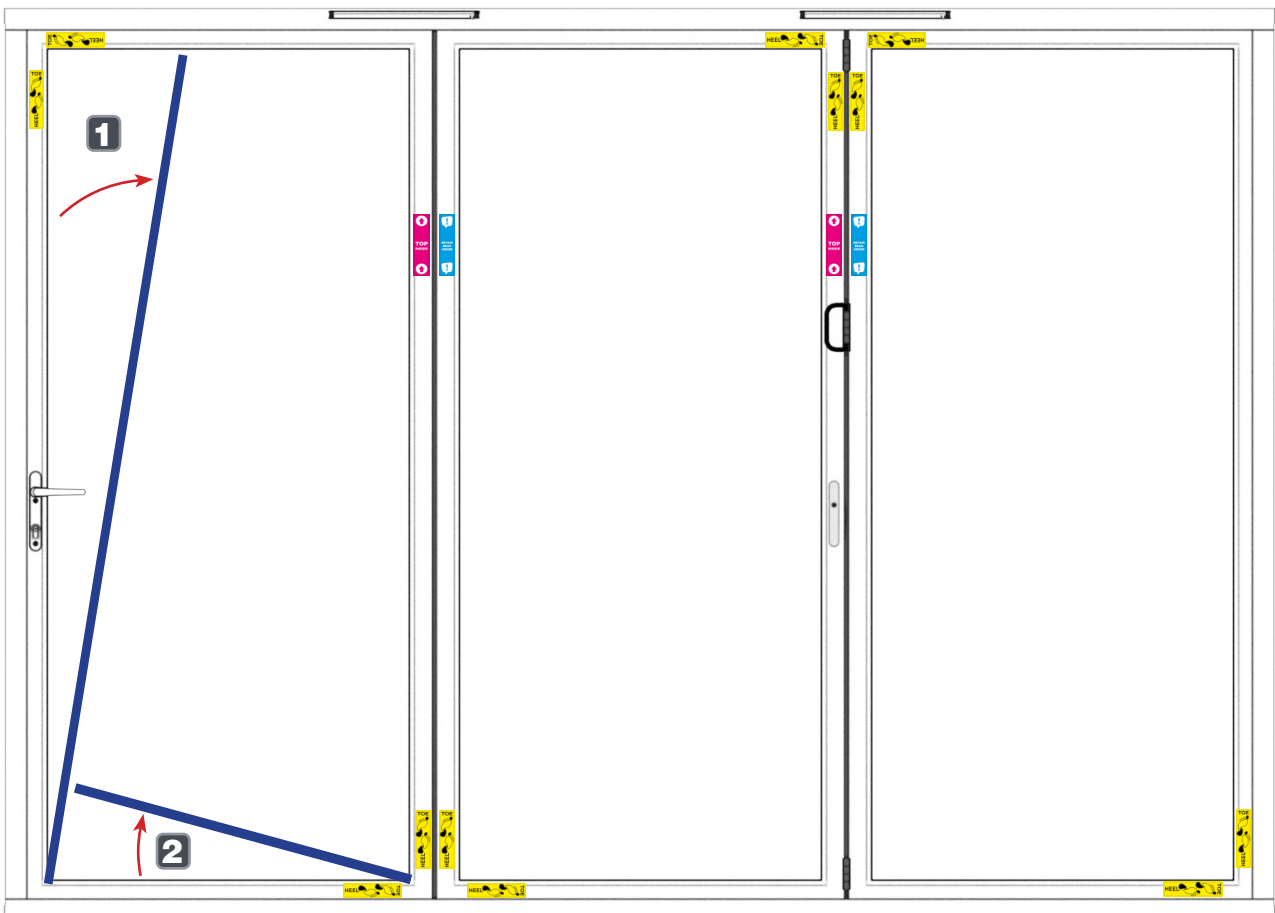
Appendix 2: BEAD REMOVAL



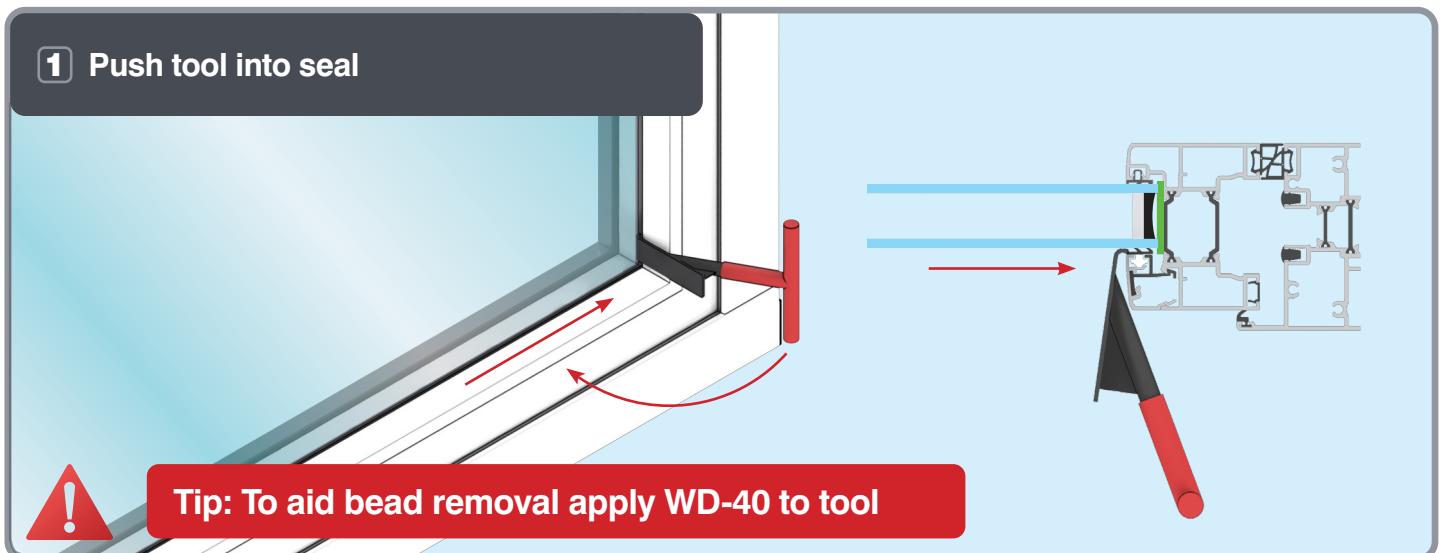
De-glazing tool
A-00424

! Ensure tool and glass are clean to avoid scratches

Bead removal order



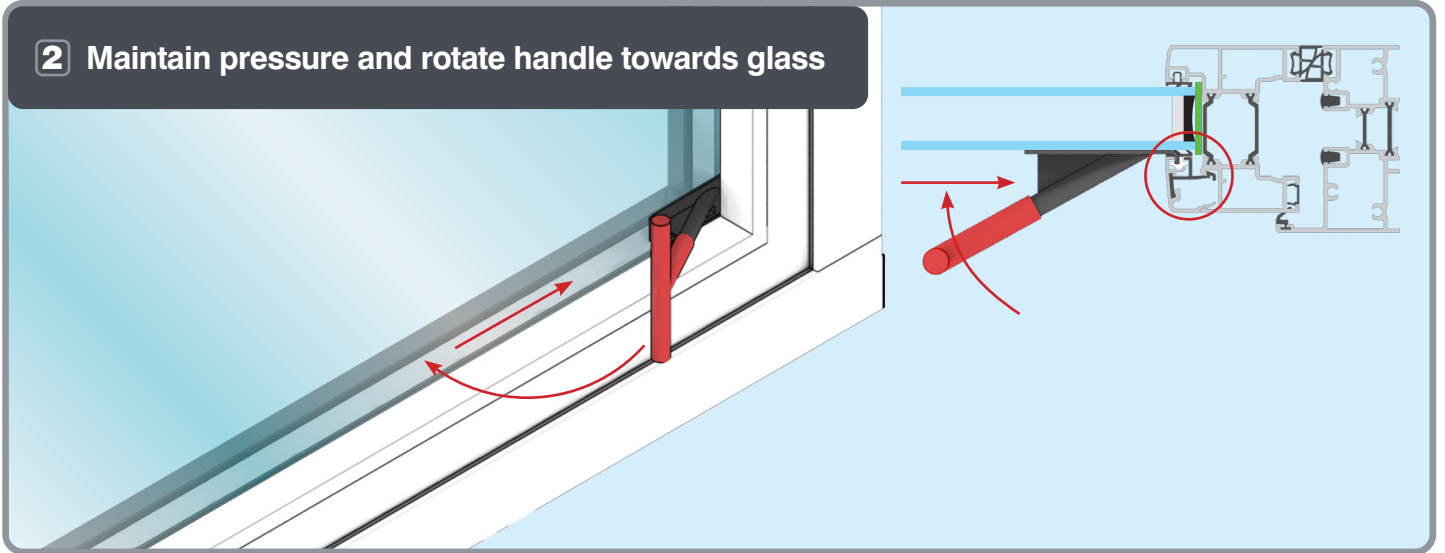
1 Push tool into seal



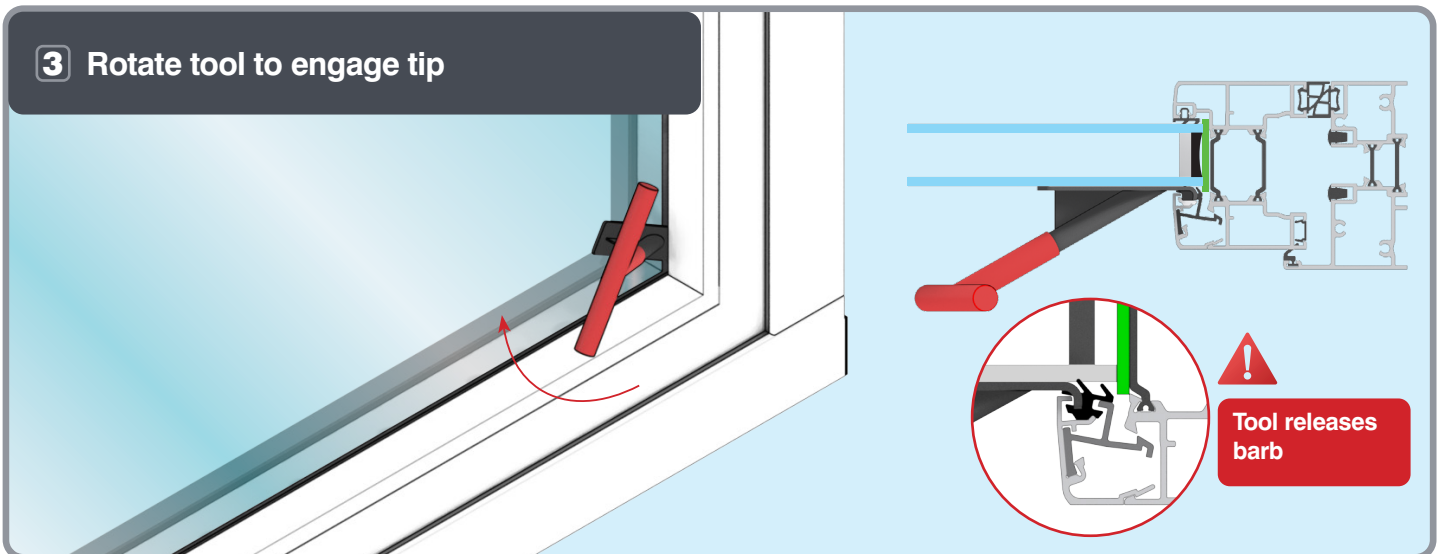
Tip: To aid bead removal apply WD-40 to tool

Appendix 2: BEAD REMOVAL

2 Maintain pressure and rotate handle towards glass



3 Rotate tool to engage tip



4 Pull along the glass direction to release

