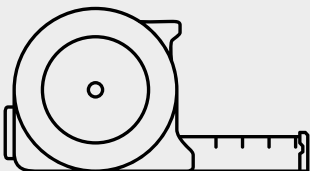
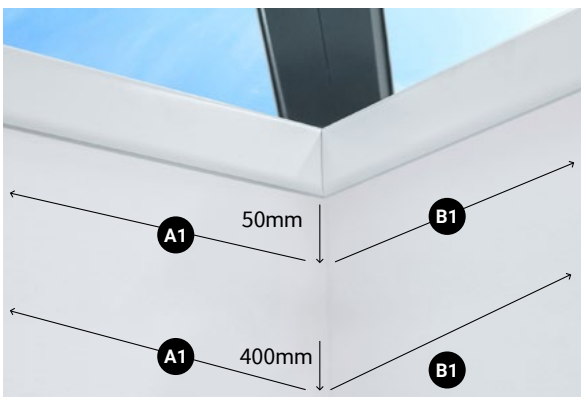
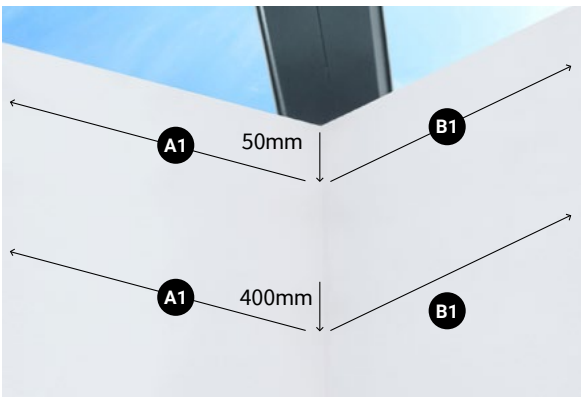


SonaSky Motorised Blind



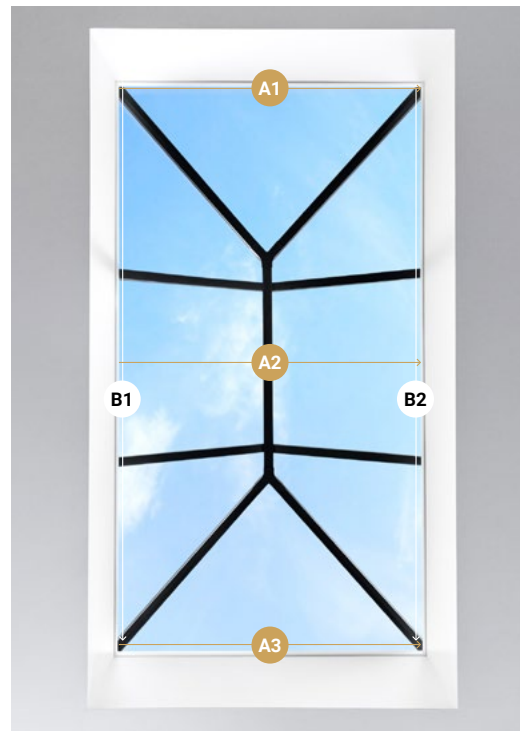
INSTRUCTIONS

1 Firstly measure down 50/400mm from the top edge of the recess (depending on your glass spec). If you have a trim running around this top edge then measure 50/400mm below this trim to ensure enough gap for the blind rail to be fitted.



NB: 50mm for Toughened or Heat Strengthened Glass
400mm for Annealed Lam Glass

2 Now measure the Width at the Top, Middle & Bottom of the opening (A). Measure the Length at the far Left & far Right of the opening (B) as indicated. Provide all measurements in mm. Please also indicate if the motor end of the Blind will be situated at either side A1 or A3.



3 Image below shows how the blind rail will look when fitted.



SAFETY & LIABILITY

Warning: Read the instruction guide to become familiar with the features of this product (Blind & Fittings) before operating it. Failure to operate and fit this product in a safe and responsible manner could result in damage to the product, personal property and cause serious injury. A qualified electrician / professional is needed for full installation. Furthermore, the installer must comply with standards and legislation in the country in which the product is being installed, and inform their customers of the operating and maintenance conditions of the product. They must give them this guide. Any use outside the sphere of application defined by SONA is forbidden. Doing so will void the warranty and release SONA of all its liability, as would a failure to comply with the instructions given herein. Never begin installing without first checking the compatibility of this product with associated equipment and accessories. This product is not intended for use by children. Do not install it with small children or pets around. Do not use this product externally or in wet / moist conditions. It should be used only indoors in a dry suitable environment. Keep the Handset out of reach of children. Never drop, knock, puncture or immerse the Handset in liquid. It is essential to read and follow all of the instructions and warnings in this fitting guide prior to assembly and setup or use, in order to operate the product correctly and avoid damage or serious injury. The imagery used are indicative of style only and are not contractually binding. The document and its contents remain property of Copyright © 2021 SONA SHADES LTD.

CONTACT

T. 01772 302522

W. sonashades.com

E. info@sonashades.com

Opening Hours

Mon - Fri 8.00am to 5.00pm

Address

Unit 496

Holly Place

Walton Summit Centre

Preston

PR5 8AX