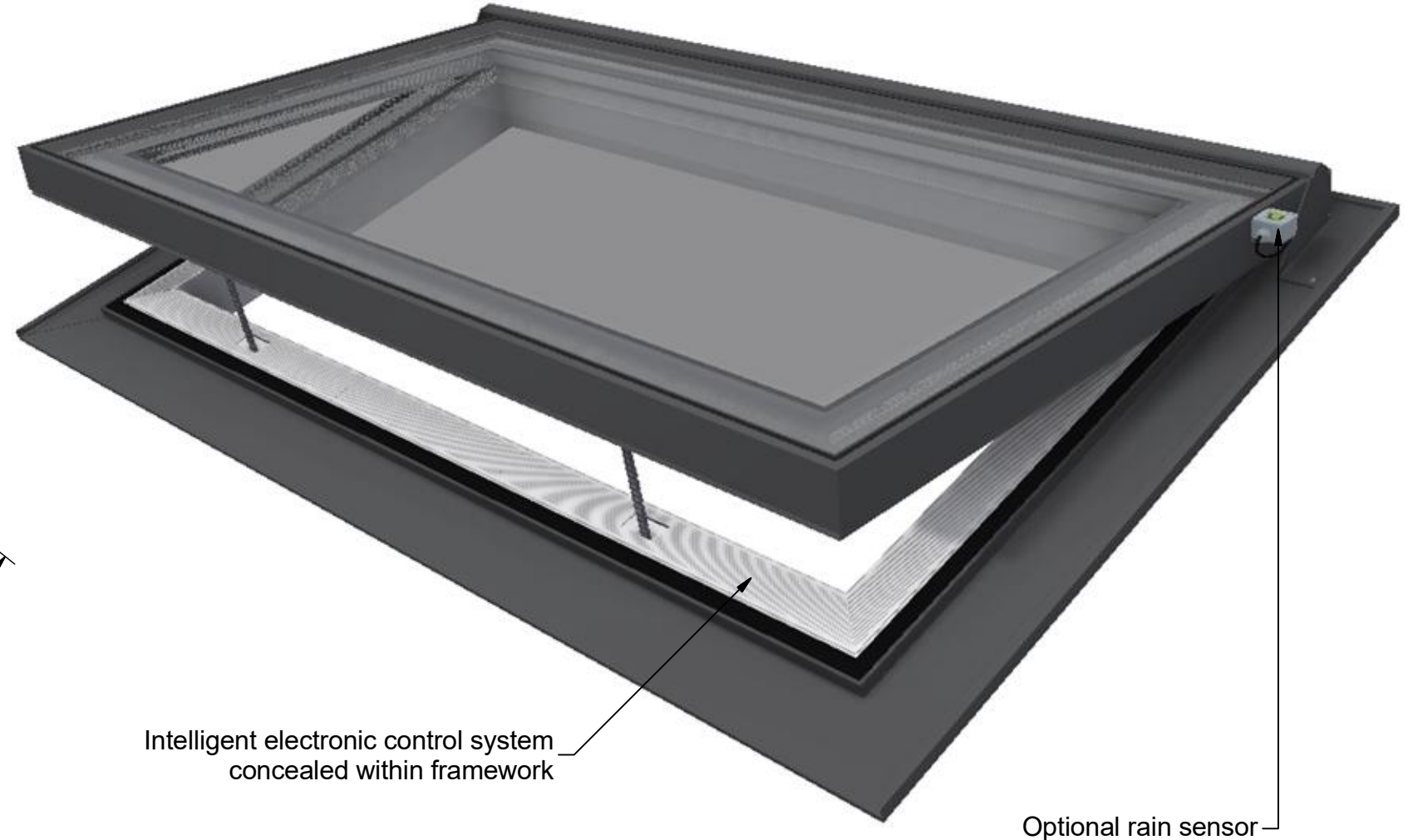
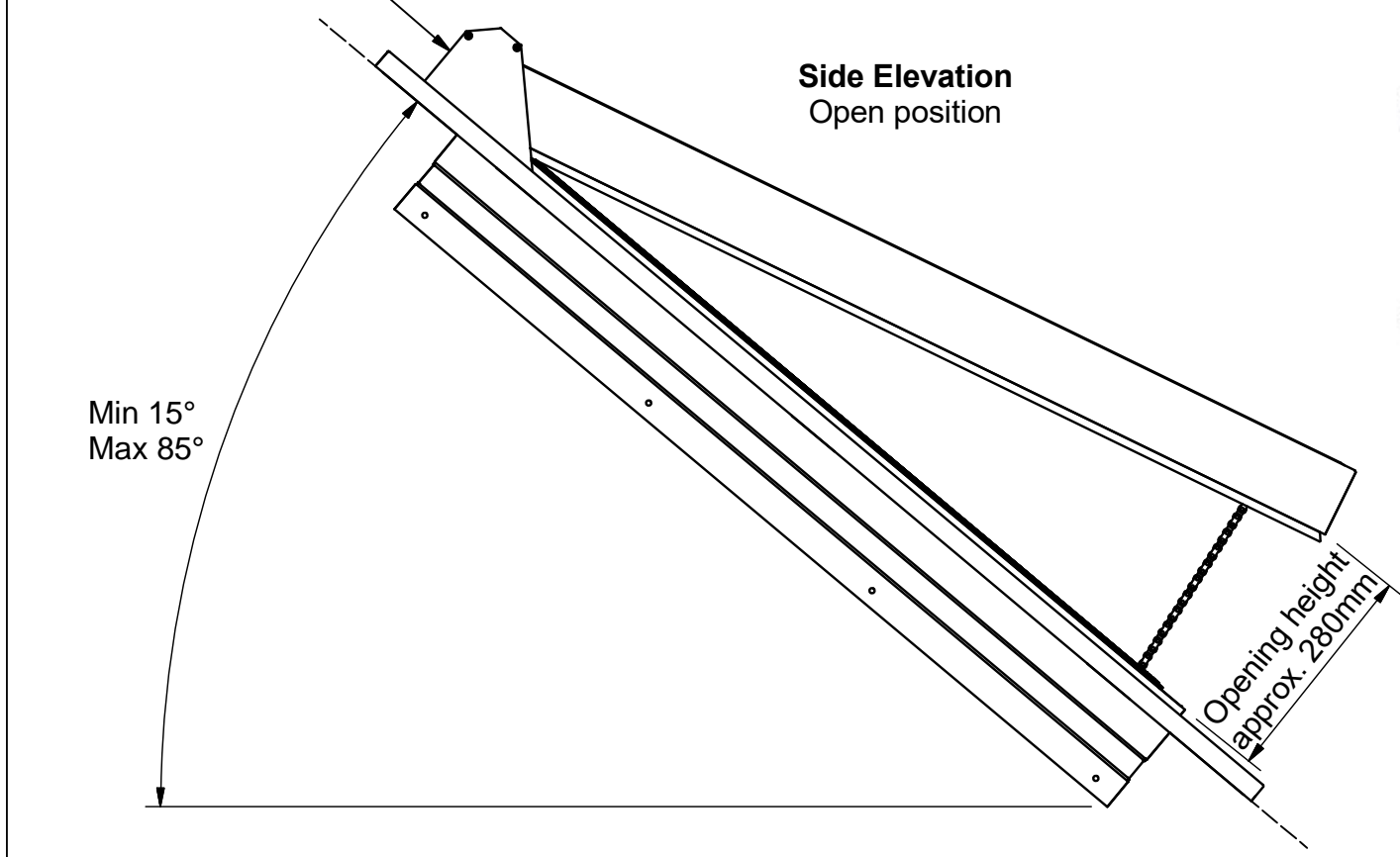


# GV Standard PitchVent - Chain Actuated

Electronically-controlled hinged pitched roofwindow  
 Double glazed and triple glazed options available

Please note that this drawing depicts the two actuator variant. The one actuator variant will have a single actuator in the centre. The number of chain actuators required depends on glass specification and roof pitch. This will be determined during the order process.

Hinge should always be at the top of the fall

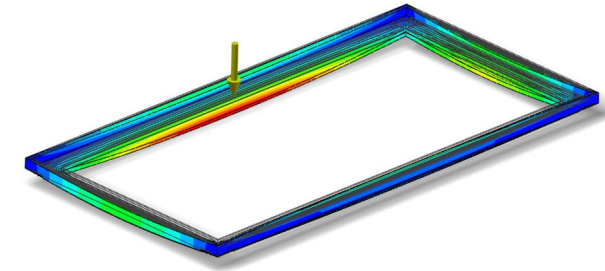
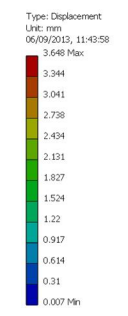


## Mechanism Detail

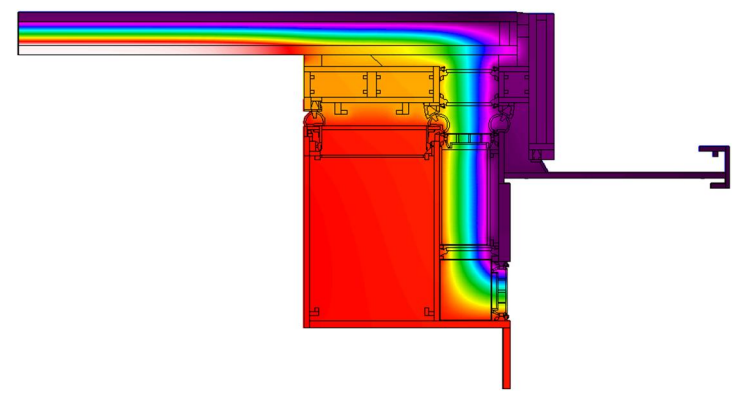


Concealed chain actuators - for the two actuator variant, the actuators are synchronised

## FEA MODELLED FOR STRUCTURAL INTEGRITY



## THERMALLY-MODELLED FOR INDUSTRY LEADING EFFICIENCY



## FOR DIMENSIONING AND INSTALLATION INFORMATION REFER TO DRAWINGS:

- 202-ASS-001
- 202-ASS-002
- 202-ASS-003
- 202-ASS-004
- 202-ASS-005

**GLAZING VISION**  
 Saw Mills Road  
 Diss Norfolk IP22 4RG  
 Tel: +44 (0)333 8000 881  
 Fax: +44 (0)333 8000 882  
 Email: sales@glazingvision.co.uk  
 Website: www.glazingvision.co.uk

IT IS GLAZING VISION'S POLICY TO CONTINUOUSLY DEVELOP AND IMPROVE OUR PRODUCTS. WE THEREFORE RESERVE THE RIGHT TO MODIFY OR CHANGE THE DETAIL DESIGN AT OUR DISCRETION AND WITHOUT PRIOR NOTICE. THIS DRAWING IS COPYRIGHT AND THE SOLE PROPERTY OF GLAZING VISION LTD. THE DESIGNS/INFORMATION IT CONTAINS ARE PRIVATE AND CONFIDENTIAL. IT MUST NOT BE COPIED, EXHIBITED OR COMMUNICATED TO THIRD PARTIES FOR ANY PURPOSE OTHER THAN THAT FOR WHICH IT WAS ISSUED WITHOUT THE WRITTEN PERMISSION OF GLAZING VISION LTD.

Third angle projection unless otherwise noted.  
 Tolerances:  
 Whole numbers = ±1mm  
 One decimal place = ±0.5mm  
 Two decimal places = ±0.2mm  
 All angles 90±0.5 degrees unless specified  
**IF IN DOUBT - ASK! DO NOT SCALE**  
**Supplier to deburr & remove sharp corners**

Rev	Revision Description	Drawn/Date
-	Initial Release	HL 02.02.18
-	Max pitch increased to 85°	JSL 27.01.23

<b>Product:</b> 202 - PitchVent		<b>Checked By:</b>
<b>Description:</b> Chain Actuated PitchVent General Arrangement Details		
<b>Materials:</b> N/A	<b>Drawn By:</b> HL	<b>Check Date:</b>
<b>Finish:</b> N/A	<b>Drawn Date:</b> 02.02.18	
<b>Weight:</b> N/A	<b>Quantity:</b> N/A	<b>Drawing No:</b> 202-ASS-006
<b>Scale:</b> N/A		