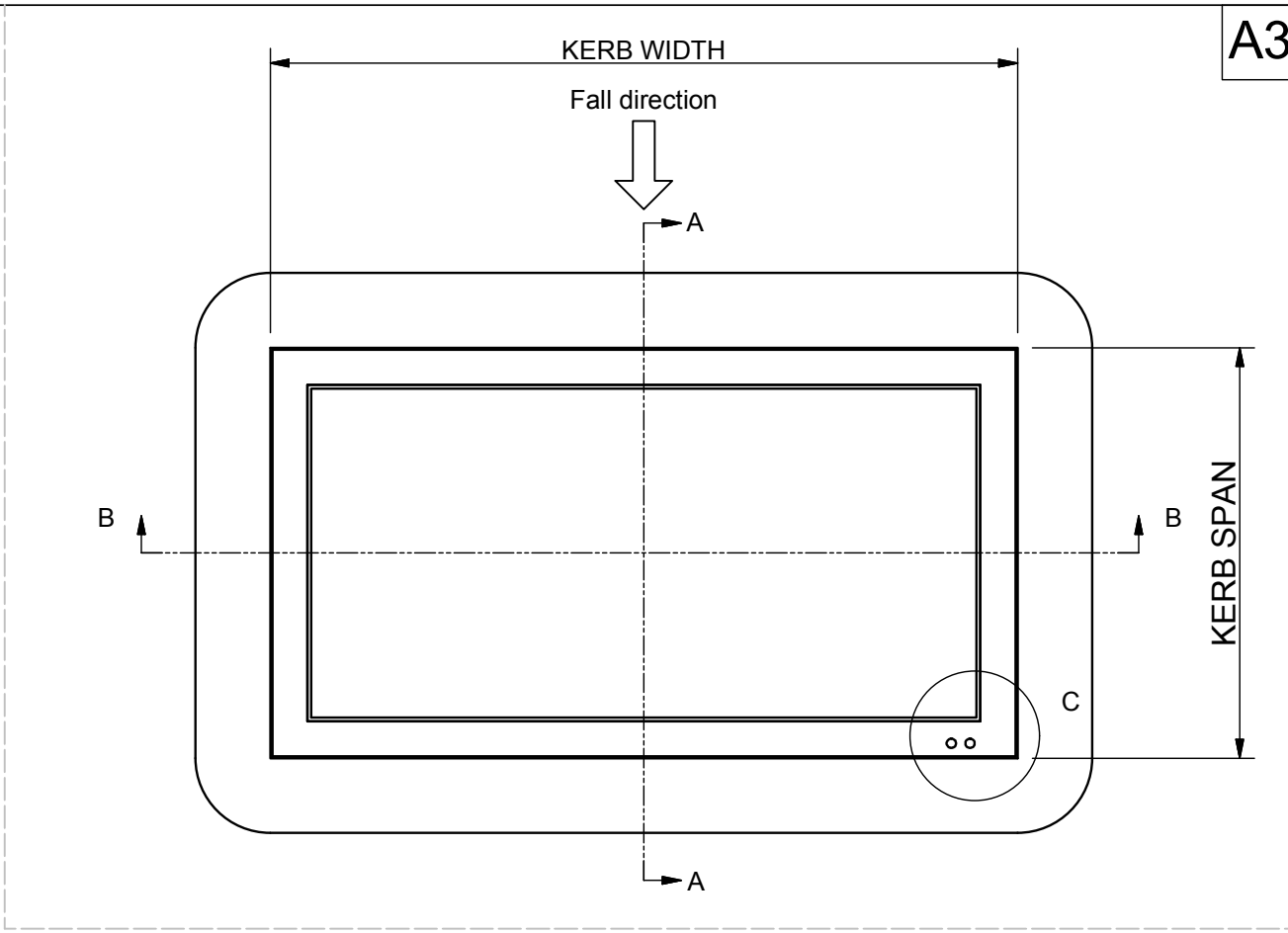
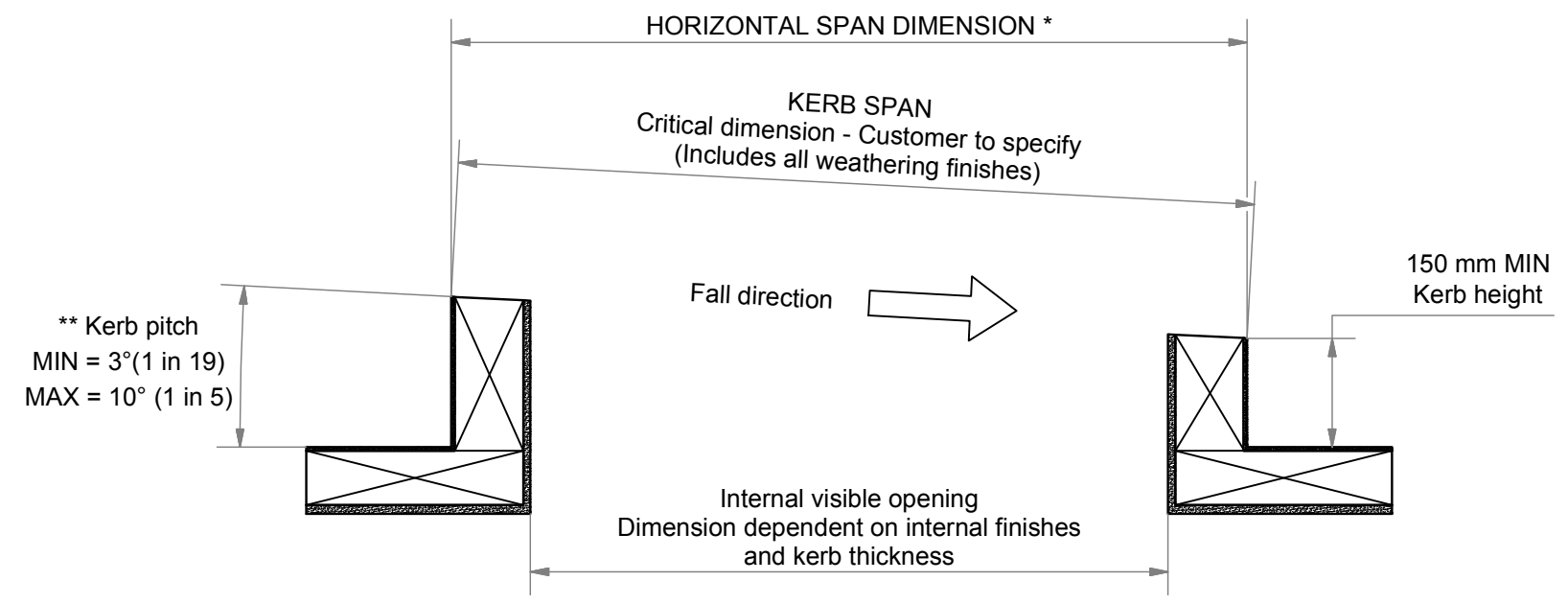


**For pitches exceeding 10 degrees the kerb top should be constructed perpendicular to the upstand - REF S0009

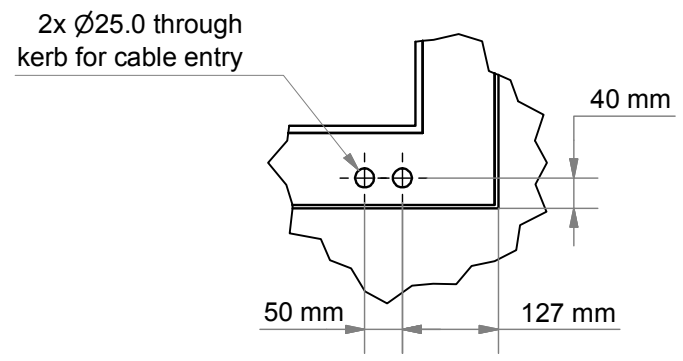
Section A-A (Scale 1 : 10)

View along fall



Detail C (Scale 1 : 10)

FOR ELECTRIC OPTION ONLY

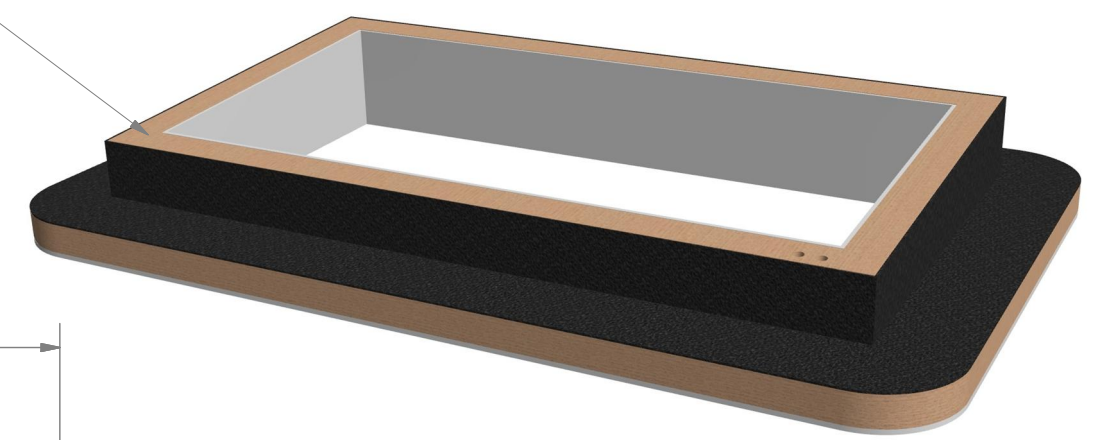
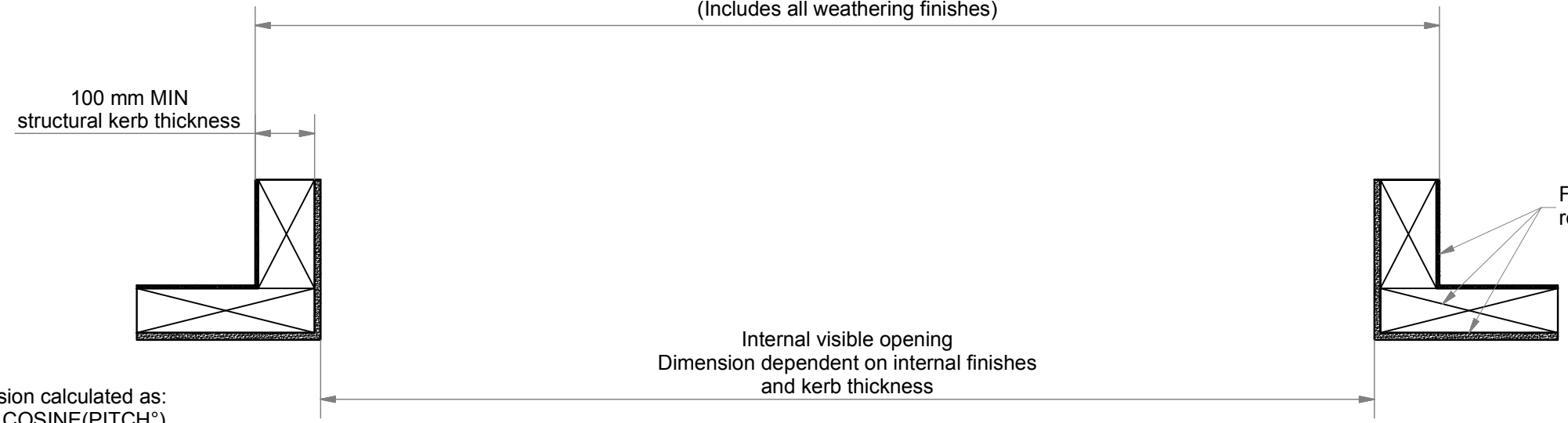


Flat top sealing surface. No steps or undulations exceeding ±2mm. Weathering should not be continued across the top of the kerb

Section B-B (Scale 1 : 10)

View across fall

KERB WIDTH
Critical dimension - Customer to specify
(Includes all weathering finishes)



Fully-weathered kerb and roof structures (by others)

* Dimension calculated as:
SPAN x COSINE(PITCH°)
e.g. 2000cos(3) = 1997

<p>Saw Mills Road Diss Norfolk IP22 4RG</p> <p>Tel: +44 (0)333 8000 881 Fax: +44 (0)333 8000 882 Email: sales@glazingvision.co.uk Website: www.glazingvision.co.uk</p>	<p>IT IS GLAZING VISION'S POLICY TO CONTINUOUSLY DEVELOP AND IMPROVE OUR PRODUCTS. WE THEREFORE RESERVE THE RIGHT TO MODIFY OR CHANGE THE DETAIL DESIGN AT OUR DISCRETION AND WITHOUT PRIOR NOTICE. THIS DRAWING IS COPYRIGHT AND THE SOLE PROPERTY OF GLAZING VISION LTD. THE DESIGNS/INFORMATION IT CONTAINS ARE PRIVATE AND CONFIDENTIAL. IT MUST NOT BE COPIED, EXHIBITED OR COMMUNICATED TO THIRD PARTIES FOR ANY PURPOSE OTHER THAN THAT FOR WHICH IT WAS ISSUED WITHOUT THE WRITTEN PERMISSION OF GLAZING VISION LTD.</p>	<p>Third angle projection unless otherwise noted. Tolerances: Whole numbers = ±1mm One decimal place = ±0.5mm Two decimal places = ±0.2mm All angles 90±0.5 degrees unless specified IF IN DOUBT - ASK! DO NOT SCALE Supplier to deburr & remove sharp corners</p>	<p>Rev</p>	<p>Revision Description</p>	<p>Drawn/Date</p>	<p>Product: 407 - GV Standard Skyhatch Description: Kerb detail</p>	<p>Checked By: GH</p>
			<p>-</p>	<p>Initial release</p>	<p>JWL 08.10.15</p>	<p>Materials: N/A</p>	<p>Check Date: 08.10.15</p>
						<p>Finish: N/A</p>	<p>Drawn By: JWL Drawn Date: 08.10.15</p>
						<p>Weight: N/A</p>	<p>Quantity: N/A</p>
					<p>Scale: 1:20 1:10</p>	<p>Drawing No: 407-ASS-002</p>	