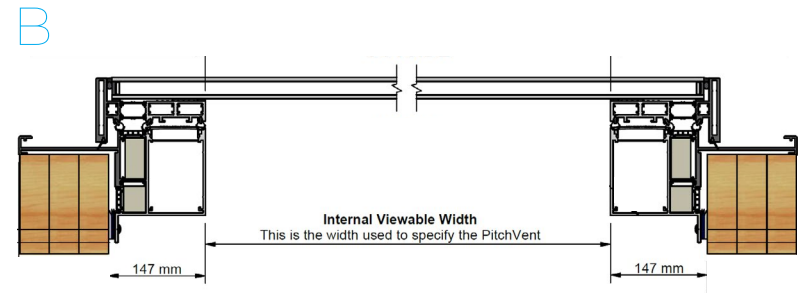


Rooflight Measurement

Our stock rooflights take the critical dimension measurement of the external weathered kerb - see image A.

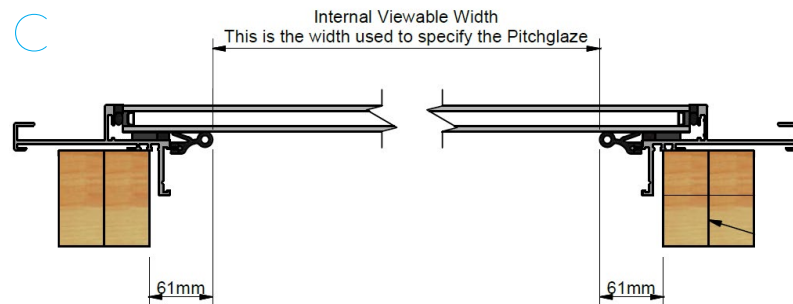
Please refer to the specific product drawings for details on kerb dimensions.



Glazing Vision Pitchvent Measurement

Pitchvent roof windows take the critical dimension measurement of the Internal Viewable Width - see image B.

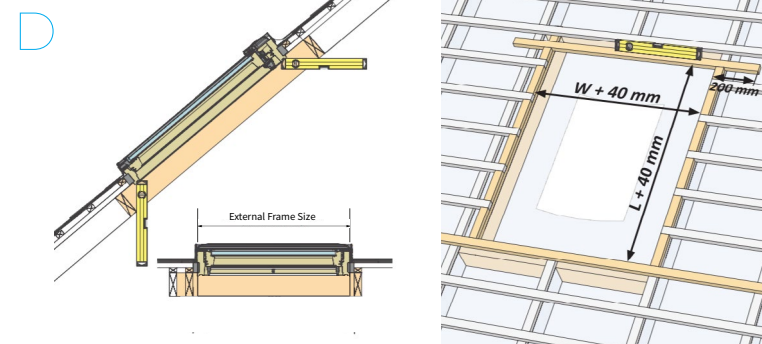
It is important that you allow 147mm on all four sides between the internal viewable width and the supporting structure to allow for internal finishes.



Glazing Vision Pitchglaze Measurement

Pitchglaze roof windows take the critical dimension measurement of the Internal Viewable Width - see image C.

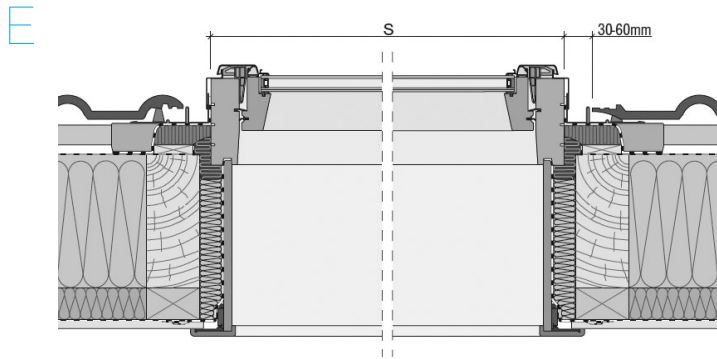
It is important that you allow 61mm on all four sides between the internal viewable width and the supporting structure to allow for internal finishes.



Glazing Vision Pitchridge Measurement

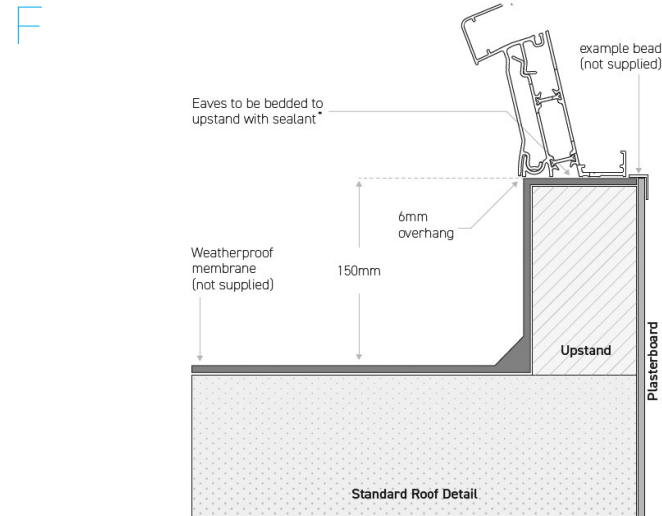
Pitchridge roof windows take the critical dimension measurement of the external frame size of the roof window - see image D.

When preparing the aperture, you will need to add 40mm on to each side of your roof window frame size.



Fakro Measurement

All Fakro pitched roof windows are measured from corner to corner outside of the frame. We always suggest add 20mm on the width reference to opening aperture. [More information can be found within Fakro's Fitting Guide.](#)



Korniche Measurement

Korniche Lantern rooflights take the external dimensions of your upstand and the fitted waterproof membrane plus 6mm extra overhang to allow for water drippage. [More information can be found in Korniche's Surveying Guide.](#)