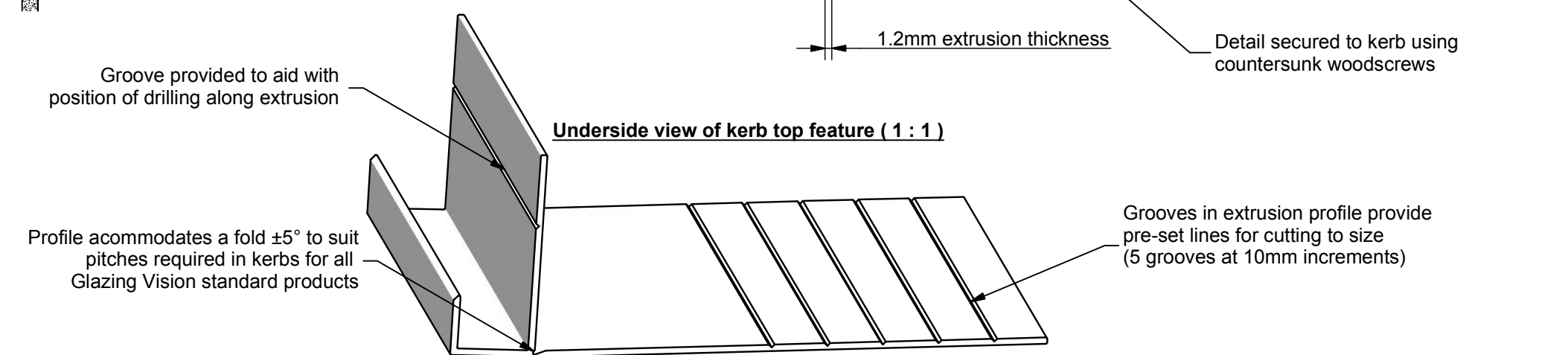
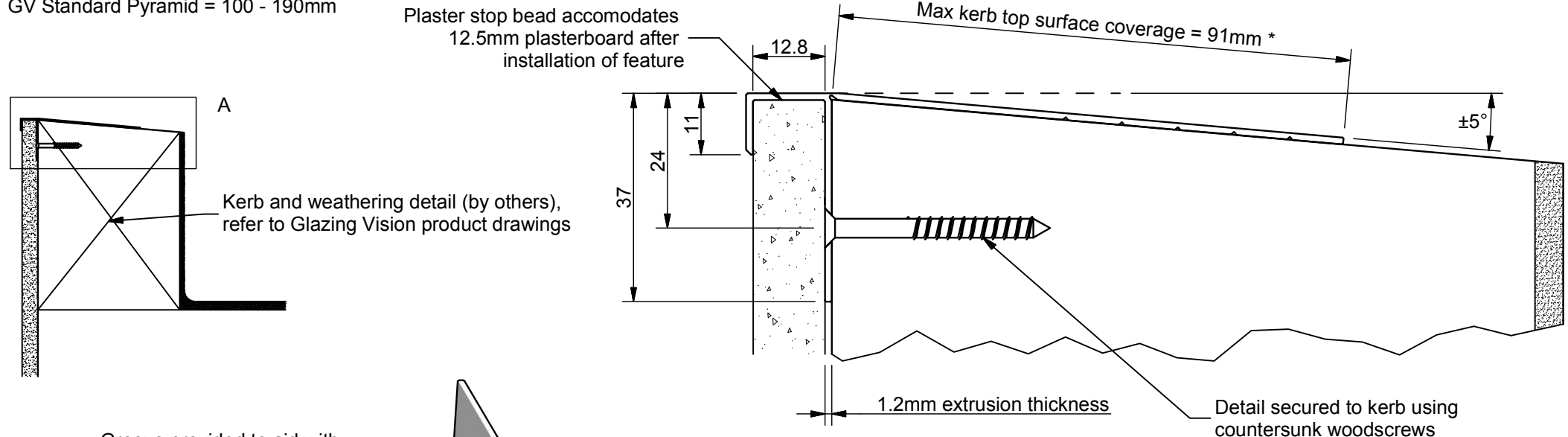


Glazing Vision kerb top feature is as an optional extra to be used with our standard range of products and is designed to cover the top of the kerb and provide a plaster stop bead. It can be used with the following products: GV Standard Flushglaze, GV Bespoke Flushglaze, GV Standard VisionVent and GV Standard Pyramid.

NOTE: The aluminium profile is powder coated (RAL9010 white) and supplied in 2.1m lengths for cutting to suit on site. The plaster stop bead is designed to suit standard 12.5mm plasterboard. This feature must be fitted prior to internal finishes and the rooflight, it cannot be retro-fitted.

* Overall kerb thickness can range as follows:
 GV Standard/Bespoke Flushglaze = 75 - 130mm
 GV Standard VisionVent = 100 - 190mm
 GV Standard Pyramid = 100 - 190mm



Rev	Revision Description	Drawn/Date

Product: GV Standard Products		Checked By:
Description: Optional Extra - Kerb top feature		
Materials: See text		Check Date:
Finish: See text		
Weight: N/A		Drawn By: PGW
Quantity: N/A		Drawn Date: 17/3/2011
Scale: 1:1 @ A4		Drawing No: S0011